

SECCED[®]

REACH PLUS 4 Fluid Head Tripod Maintenance Manual

Version 1
March.15.2013



Copyright © 2013, Beijing United Victory Co., Ltd

All rights reserved throughout the world. No part of this document may be stored in a retrieval system, transmitted, copied or reproduced in any way including, but not limited to, photocopy, photograph, magnetic or other record without the prior agreement and permission in writing of Beijing United Victory Co., Ltd
Secced is registered trademark of Beijing United Victory Co., Ltd

. Publisher: Beijing United Victory Co., Ltd
Website: www.secced.com

REACH PLUS 4 Fluid Head
Illustrated Parts List

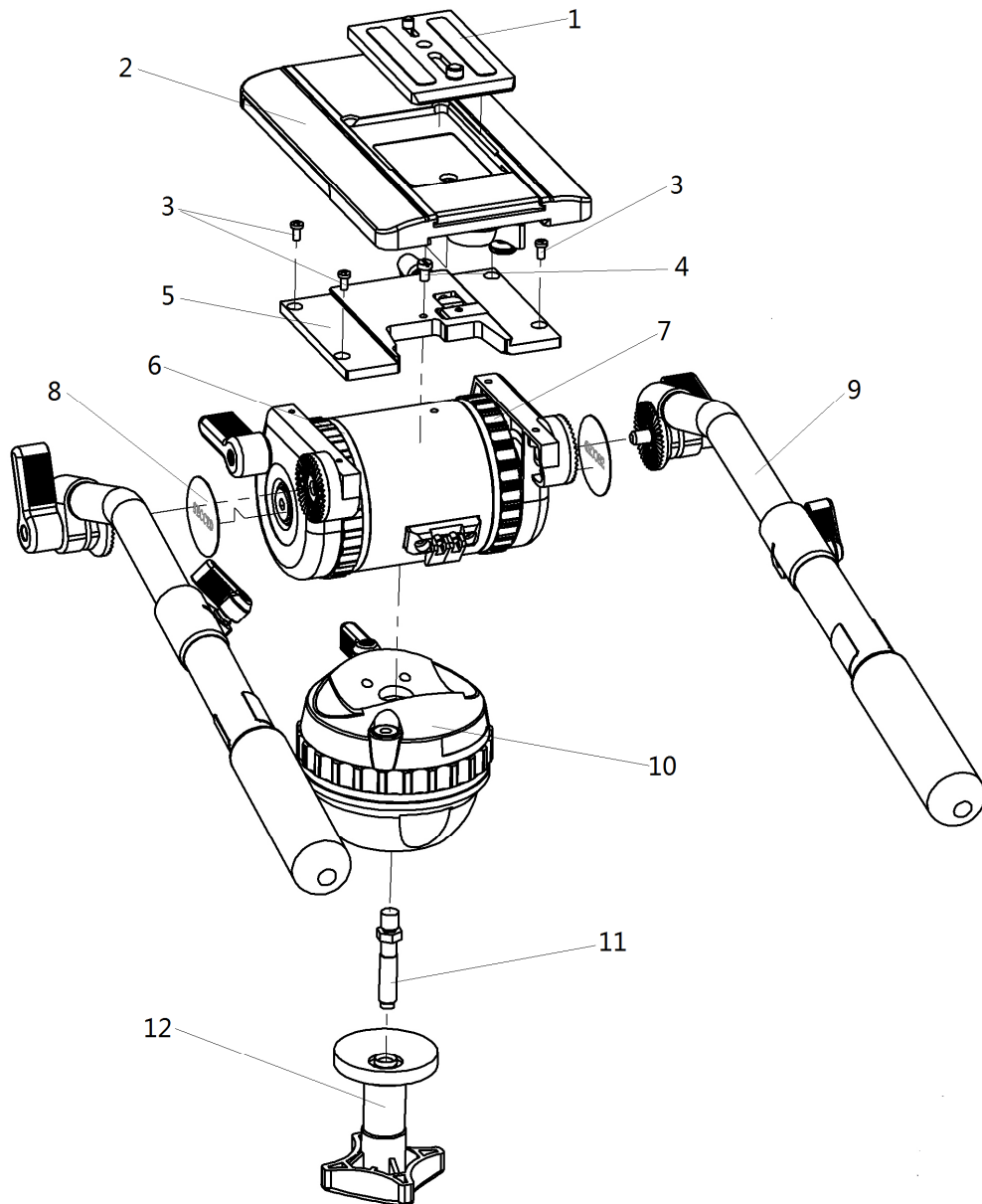


Fig.1: REACH Plus 4 Fluid Head

| Item No. | Part No. | Nomenclature | Qty. |
|----------|-----------------|--------------------------------------|------|
| Fig. 1 | SC350A-00 | REACH Plus 4 Fluid Head | |
| 1 | SC349-00-12 | Wedge plat unit | 1 |
| 2 | SC350-00-05 | Sliding plate unit | 1 |
| 3 | GB/T818-2000 | Screw, pan head, pozidriv, M4x8 | 4 |
| 4 | GB/T65-2000 | Screw, Cheese head, Slotted M4x8 | 1 |
| 5 | SC350A-00-10 | Slide plate lock unit | 1 |
| 6 | SC350A-00-03 | Tilt Brake and Drag unit assembly | 1 |
| 7 | SC350A-00-02 | Balance Mechanism Assembly | 1 |
| 8 | SC350A-00-00-01 | Pan Bar Unit Assembly | 2 |
| 9 | SC351-00-14 | Pan unit assembly- Pan Drag | 2 |
| 10 | SC350A-00-04 | Bowl clamp shaft | 1 |
| 11 | SC326-00-00-03 | Bowl clamp knob | 1 |
| 12 | SC346-00-09 | Wedge plat unit | 1 |

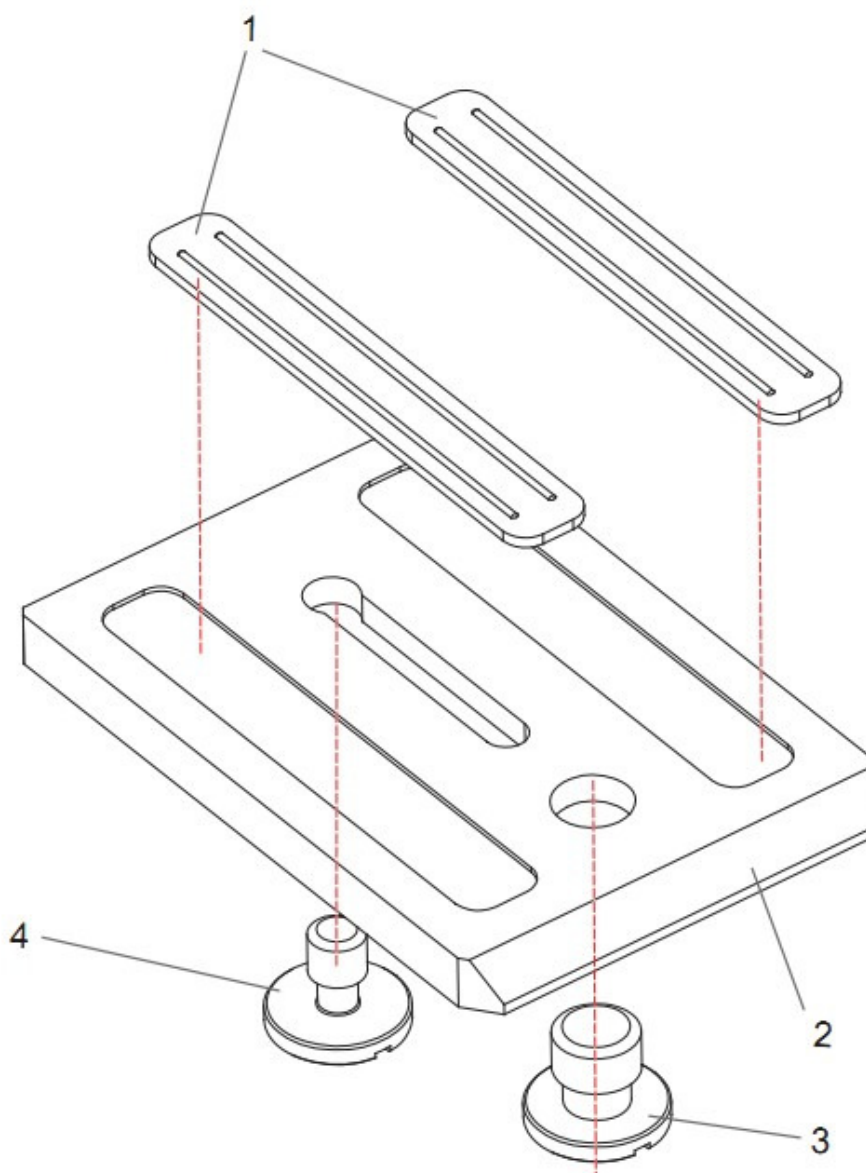


Fig.2: REACH PLUS 4 Fluid Head —Wedge Plate Unit Assembly

| Item No. | Part No. | Nomenclature | Qty. |
|----------|----------------|---------------------------|------|
| Fig. 2 | SC349-00-12 | Wedge Plate Unit Assembly | |
| 1 | SC325-00-09-02 | Non-slip plate, leather | 2 |
| 2 | SC349-00-12-01 | Wedge plate | 1 |
| 3 | SC324-00-12-03 | 3/8" Screw | 1 |
| 4 | SC324-00-12-04 | 1/4" Screw | 1 |

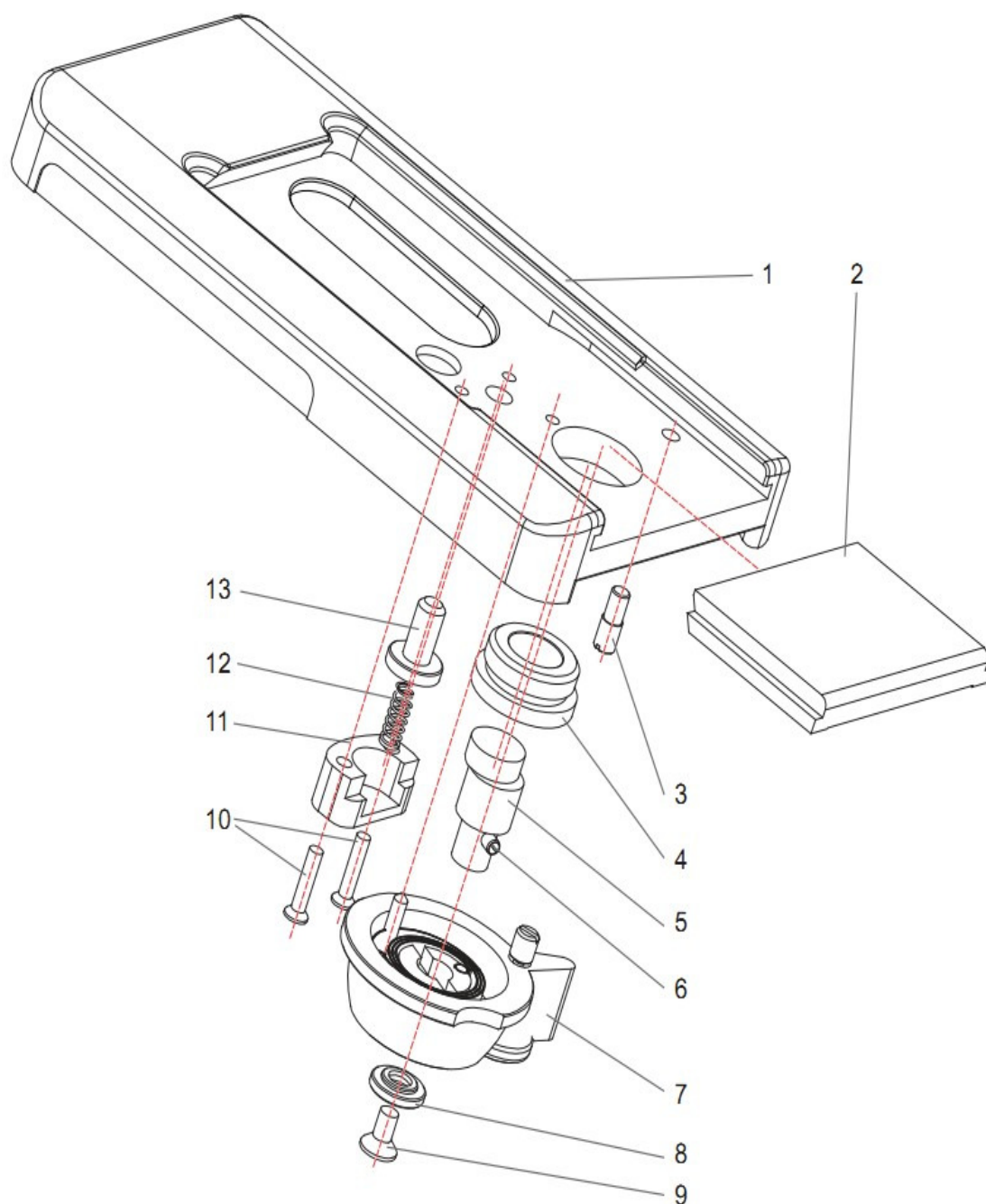


Fig. 3: REACH PLUS 4 Fluid Head—Sliding Plate Unit Assembly

| Item No. | Part No. | Nomenclature | Qty. |
|----------|----------------|---------------------------------|------|
| Fig.3 | SC350-00-05 | Sliding Plate Unit Assembly | |
| 1 | SC350-00-05-01 | Slide plate | 1 |
| 2 | SC326-00-05-02 | Wedge plate block | 1 |
| 3 | P-TS-4 X12 | Pin, thread, slotted 4X12 | 1 |
| 4 | SC324-00-05-03 | Axle sleeve | 1 |
| 5 | SC334-00-06-06 | Eccentric axle | 1 |
| 6 | P-SS-3 X14 | Pin, spring-type, slotted, 2X12 | 1 |
| 7 | SC324-00-11 | Quick release knob Assembly | 1 |
| 8 | SC334-00-06-08 | Washer | 1 |
| 9 | S-PCO-4 X8 | Screw, csk head, pozidriv, 4 X8 | 1 |
| 10 | S-PCO-3 X12 | Screw, csk head, pozidriv, 3x12 | 2 |
| 11 | SC324-00-05-05 | Pressing pad | 1 |
| 12 | SC324-00-05-07 | Spring for control pillar | 1 |
| 13 | SC324-00-05-06 | Wedge plate control pillar | 1 |

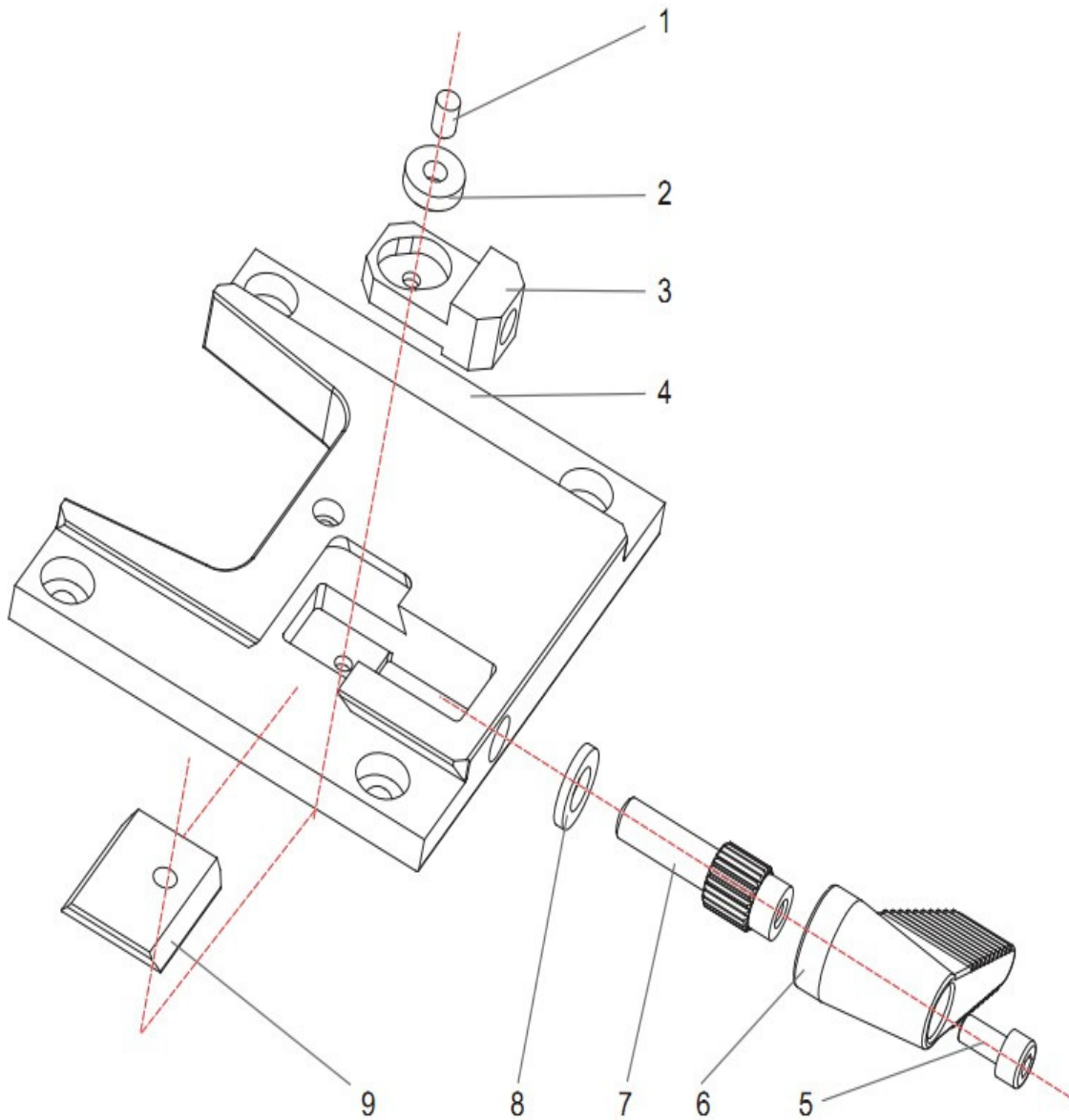


Fig.4: REACH PLUS 4 Fluid Head —Slide Plate Lock Assembly

| Item No. | Part No. | Nomenclature | Qty. |
|----------|-----------------|---|------|
| Fig. 4 | SC350A-00-10 | Slide Plate Lock Assembly | |
| 1 | SC324-00-10-04 | Pin | 1 |
| 2 | SC324-00-10-05 | Shaft sleeve | 1 |
| 3 | SC343-00-10-07 | Sliding clamp pad | 1 |
| 4 | SC350A-00-10-01 | Dovetail-formed plate | 1 |
| 5 | GBT70NYM4X8 | Screw, cheese head, hex socket, M3x6 | 1 |
| 6 | SC324-00-10-07 | Slide plate clamp | 1 |
| 7 | SC349-00-10-02 | Slide plate clamp shaft | 1 |
| 8 | W-P-6 | Washer, plain, 6 | 1 |
| 9 | SC344-00-10-02 | Slide plate clamp pad | 1 |

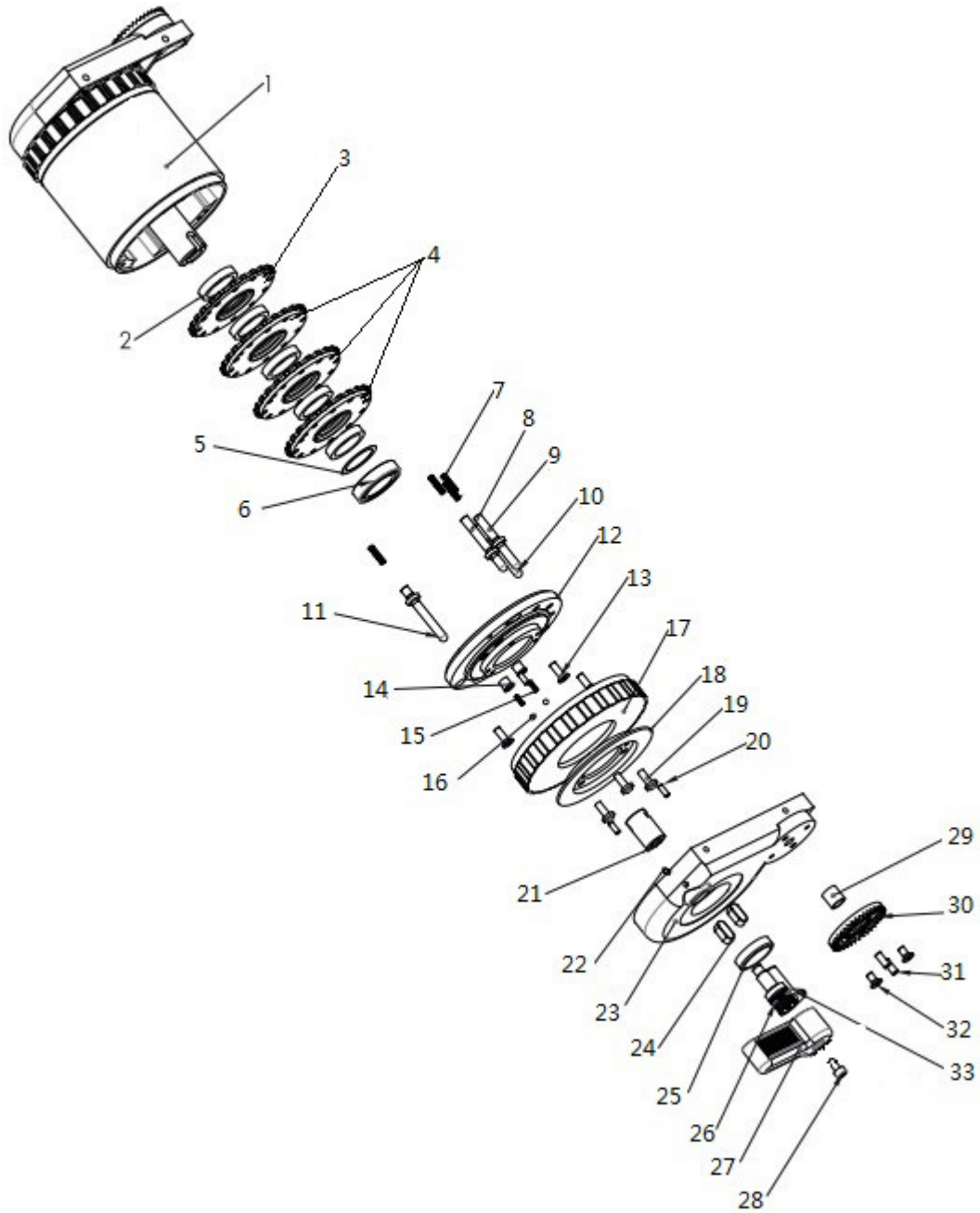


Fig. 5: REACH PLUS 1 Fluid Head —Tilt Brake and Drag Unit Assembly

| ItemNo. | Part No. | Nomenclature | Qty. |
|---------|----------------|------------------------------------|------|
| Fig. 5 | SC350A-00-03 | Tilt Brake and Drag Unit Assembly | |
| 1 | SC350A-00-02 | Balance mechanism assembly (Fig.6) | 1 |
| 2 | SC326-00-03-06 | Washer, plain (thick) | 5 |
| 3 | SC349-00-07 | Drag disk (thin) | 1 |
| 4 | SC349-00-08 | Drag disk (medium) | 3 |
| 5 | SC326-00-03-14 | Adjusting washer I (0.1mm) | AR |
| | SC326-00-03-15 | Adjusting washer II (0.2mm) | AR |
| | SC326-00-03-16 | Adjusting washer III (0.5mm) | AR |
| 6 | GBT27661804-2Z | Bearing, deep groove ball | 1 |
| 7 | LR03-025 | standard spring | 4 |
| 8 | SC349-00-03-04 | Locating pillar I | 1 |
| 9 | SC349-00-03-05 | Locating pillar II | 1 |
| 10 | SC349-00-03-06 | Locating pillar III | 1 |
| 11 | SC349-00-03-07 | Locating pillar IV | 1 |
| 12 | SC349-00-03-02 | Tilt drag housing | 1 |
| 13 | GBT70NCM4x12 | Screw, csk head, hex socket, M4X12 | 3 |
| 14 | SC349-00-03-17 | Spring sleeve | 2 |
| 15 | LR03-010 | standard spring | 2 |
| 16 | SB-3 | Steel ball, $\phi 3$ | 2 |
| 17 | SC349-00-03-03 | L.H. tilt drag knob | 1 |
| 18 | SC326-00-03-04 | Tilt brake disk | 1 |
| 19 | GBT818XPM4x10 | Screw, pan head, pozidriv, M4x10 | 3 |

| Item No. | Part No. | Nomenclature | Qty. |
|----------|-------------------|---------------------------------------|------|
| Fig. 5 | | | |
| 20 | PPD-3x8 | Pin, dowel, parallel, uhd steel, A3x8 | 3 |
| 21 | SC326-00-03-05 | Screwed socket (tilt brake) | 1 |
| 22 | PPD-3x6 | Pin, dowel, parallel, uhd steel, A3x6 | 1 |
| 23 | SC326-00-03-08 | L.H. side plate | 1 |
| 24 | GBT1096-1979 | Plain key, parallel, 6X10 | 2 |
| 25 | SC326-00-02-19 | Steel compression ring | 1 |
| 26 | SC349-00-03-01 | Tilt brake shaft | 1 |
| 27 | SC324-00-06-10 | Brake knob | 1 |
| 28 | GBT70NYM4x8 | Screw, cheese head, hex socket, M4X8 | 1 |
| 29 | GB-T24425.1 | Steel wire Axle sleeve M8X1d | 1 |
| 30 | SC326-00-02-20 | side plate cluth plate | 1 |
| 31 | PPD-3x8 | Pin, dowel, parallel, uhd steel, A3X8 | 2 |
| 32 | GBT819NCM4x8 | Screw, csk head, hex socket, M4X8 | 2 |
| 33 | GBT70NCM10x2 5 | Screw, csk head, hex socket, M10X25 | 1 |

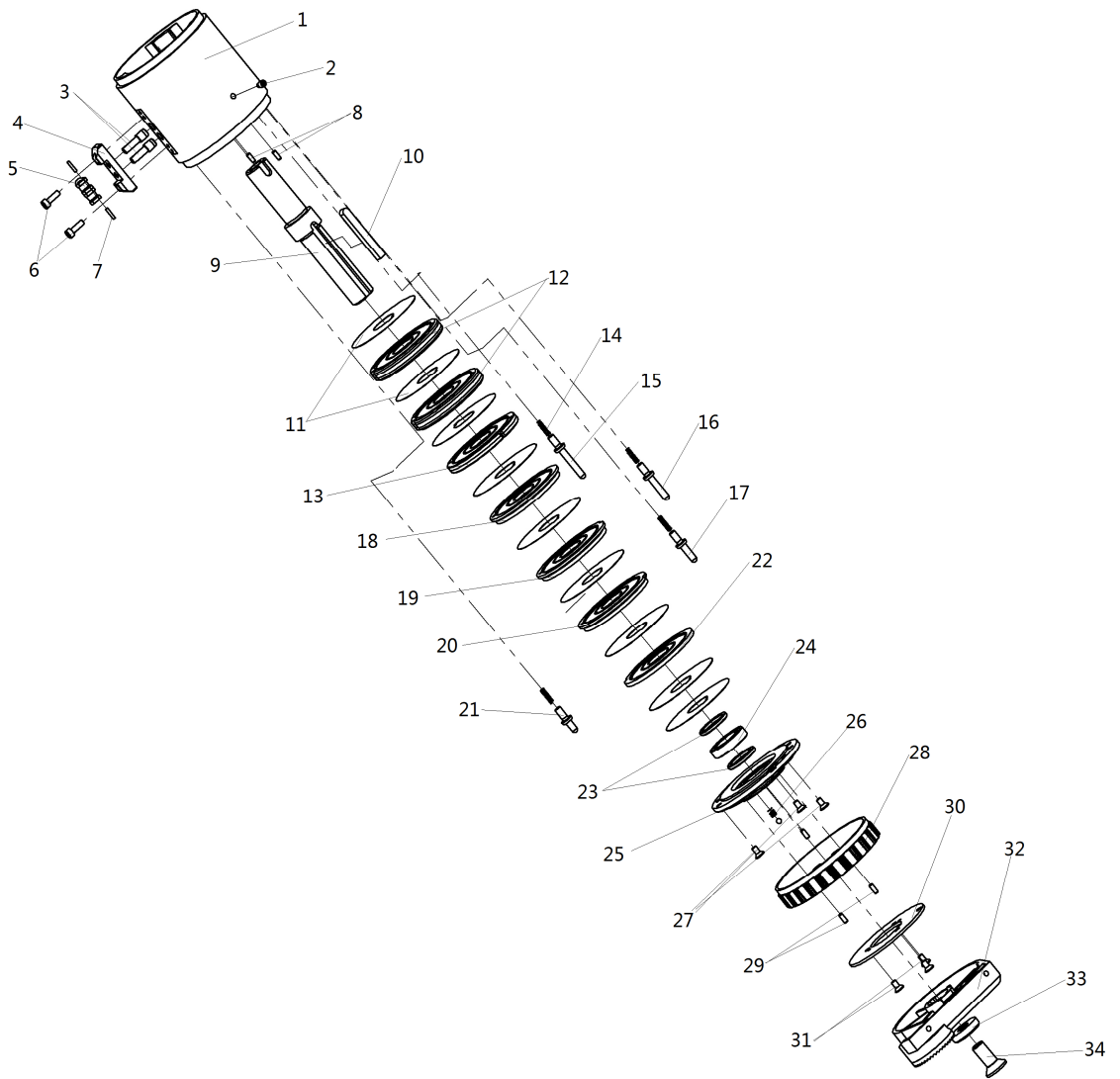


Fig.6 REACH PLUS 4 Fluid Head

—Counterbalance Mechanism Assembly

| Item No. | Part No. | Nomenclature | Qty. |
|----------|-----------------|--|------|
| Fig. 6 | SC350A-00-02 | Counterbalance Mechanism Assembly | |
| 1 | SC350A-00-01-01 | Main body | 1 |
| 2 | GBT79 M5 X8 | Hexagon socket set screws with dog point M5 X8 (non use) | 1 |
| 3 | SC351A-00-20-02 | Stepped control Pin | 2 |
| 4 | SC350A-00-20-01 | Stepped control base | 1 |
| 5 | SC351A-00-20-03 | clamping lever | 2 |
| 6 | GBT70.1M4X12 | Screw, cheese head, hex socket, M4X12 | 2 |
| 7 | GBT119 A2X10 | Pin, dowel, parallel, uhd steel, A2X10 | 2 |
| 8 | PPD-3x8 | Pin, dowel, parallel, uhd steel, A3X8 | 5 |
| 9 | SC350-00-02-01 | Tilt unit shaft | 1 |
| 10 | SC350-00-02-02 | Plain key, parallel | 1 |
| 11 | SC326-00-02-21 | Friction bedding | 6 |
| 12 | SC350A-00-19 | Stepped control Counterbalance rubber disk | 2 |
| 13 | SC350A-00-02-05 | Washer | 1 |
| 14 | LR03-025 | standard spring | 4 |
| 15 | SC349-00-02-13 | Counterbalance locating pillar IV | 1 |
| 16 | SC349-00-02-12 | Counterbalance locating pillar III | 1 |
| 17 | SC349-00-02-11 | Counterbalance locating pillar II | 1 |
| 18 | SC349-00-17 | Counterbalance rubber disk (medium)III | 1 |
| 19 | SC349-00-16 | Counterbalance rubber disk (medium)II | 1 |
| 20 | SC349-00-15 | Counterbalance rubber disk (medium)I | 1 |
| 21 | SC349-00-02-10 | Counterbalance locating pillar I | 1 |

| Item No. | Part No. | Nomenclature | Qty. |
|----------|----------------|---------------------------------------|------|
| 22 | SC349-00-02-25 | Counterbalance rubber disk (large) | 1 |
| 23 | SC349-00-02-14 | side plate washer | 2 |
| 24 | GBT276618042Z | Bearing, deep groove ball | 1 |
| 25 | SC349-00-02-01 | Counterbalance housing | 1 |
| 26 | SB-3 | Steel ball, $\phi 3$ | 2 |
| | LR03-010 | standard spring | 1 |
| 27 | GBT70NCM4x12 | Screw, csk head, hex socket, M4X12 | 3 |
| 28 | SC349-00-02-02 | Counterbalance knob | 1 |
| 29 | PPD-3x8 | Pin, dowel, parallel, uhd steel, A3X8 | 2 |
| 30 | SC349-00-02-17 | R.H. pressing disk | 1 |
| 31 | GBT819M4X8 | Screw, csk head, hex socket, M4X8 | 3 |
| 32 | SC349-00-02-21 | R.H. side plate | 1 |
| 33 | SC326-00-02-19 | Steel compression ring | 1 |
| 34 | GBT70NCM10x25 | Screw, csk head, hex socket, M10x25 | 1 |

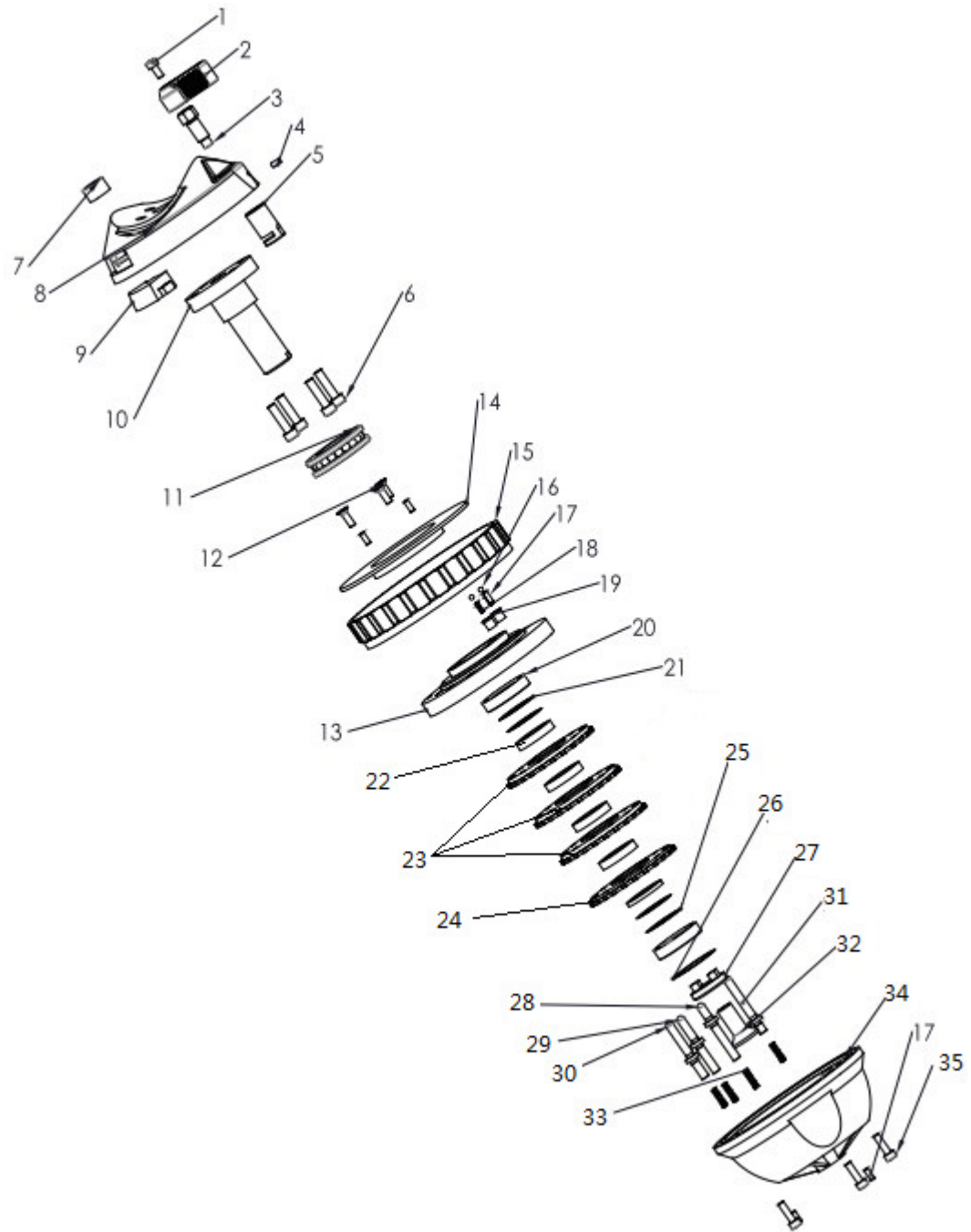


Fig.7: REACH PLUS 1 Fluid Head—Pan Unit Assembly -Pan Drag

| Item No. | Part No. | Nomenclature | Qty. |
|----------|----------------------|---------------------------------------|------|
| Fig. 7 | SC350-00-04 | Pan Unit Assembly -Pan Drag | |
| 1 | S-HCH-4 X8 | Screw, cheese head, hex socket, M4x8 | 1 |
| 2 | SC324-00-00-01 | Brake knob | 1 |
| 3 | SC326-00-01-05 | Pan brake shaft | 1 |
| 4 | PPD-3x6 | Pin, dowel, parallel, uhd steel,A3X6 | 1 |
| 5 | SC326-00-01-04 | Screwed socket (pan brake) | 1 |
| 6 | S-HCH-5X20 | Screw, cheese head, hex socket,M5X20 | 4 |
| 7 | LB-15x9 | Level bubble, $\Phi 15x9 \Phi 15X9$ | 1 |
| 8 | SC349-00-01-02 | Main Body Base | 1 |
| 9 | SC346-00-18 | Power Supply | 1 |
| 10 | SC326-00-01-03 | Pan unit shaft | 1 |
| 11 | GB51105 | thrust ball bearing 51105 | 1 |
| 12 | GBT70NCM4x12 | Screw, cheese head, hex socket, M4x12 | 3 |
| 13 | SC349-00-04-01 | Pan drag housing | 1 |
| 14 | SC326-00-04-04 | brake disk | 1 |
| 15 | SC349-00-04-02 | Pan drag knob | 1 |
| 16 | SB-3 | Steel ball, $\phi 3$ | 2 |
| 17 | PPD-3x8 | Pin, dowel, parallel, uhd steel,A3X8 | 5 |
| 18 | LR03-010 | standard spring | 2 |
| 19 | SC349-00-03-17 | Spring housing | 2 |
| 20 | GBT276618042Z | Bearing, deep groove ball, 61804-2Z | 2 |
| 21 | SC326-00-03-14/15/16 | Adjusting washer I/II/III | AR |

| Item No. | Part No. | Nomenclature | Qty |
|----------|----------------|--|-----|
| Fig. 7 | | | |
| 22 | SC326-00-03-06 | Washer, plain (thick) | 4 |
| | SC326-00-03-07 | Washer, plain (thin) | 1 |
| 23 | SC349-00-08 | Drag disk (medium) | 3 |
| 24 | SC349-00-07 | Drag disk (thin) | 1 |
| 25 | SC326-00-03-14 | Adjusting washer I | AR |
| 26 | SC326-00-04-08 | bearing washer I | 2 |
| 27 | SC326-00-04-07 | Steel blocking ring | 1 |
| 28 | SC349-00-03-04 | Locating pillar I | 1 |
| 29 | SC349-00-03-05 | Locating pillar II | 1 |
| 30 | SC349-00-03-06 | Locating pillar III | 1 |
| 31 | SC349-00-03-07 | Locating pillar IV | 1 |
| 32 | GBT70NCM10x25 | Screw, cheese head, hex socket, M10x25 | 1 |
| 33 | LR03-025 | standard spring | 4 |
| 34 | SC326-00-04-05 | Bowl base | 1 |
| 35 | S-HCH-4 X14 | Screw, cheese head, hex socket | 3 |

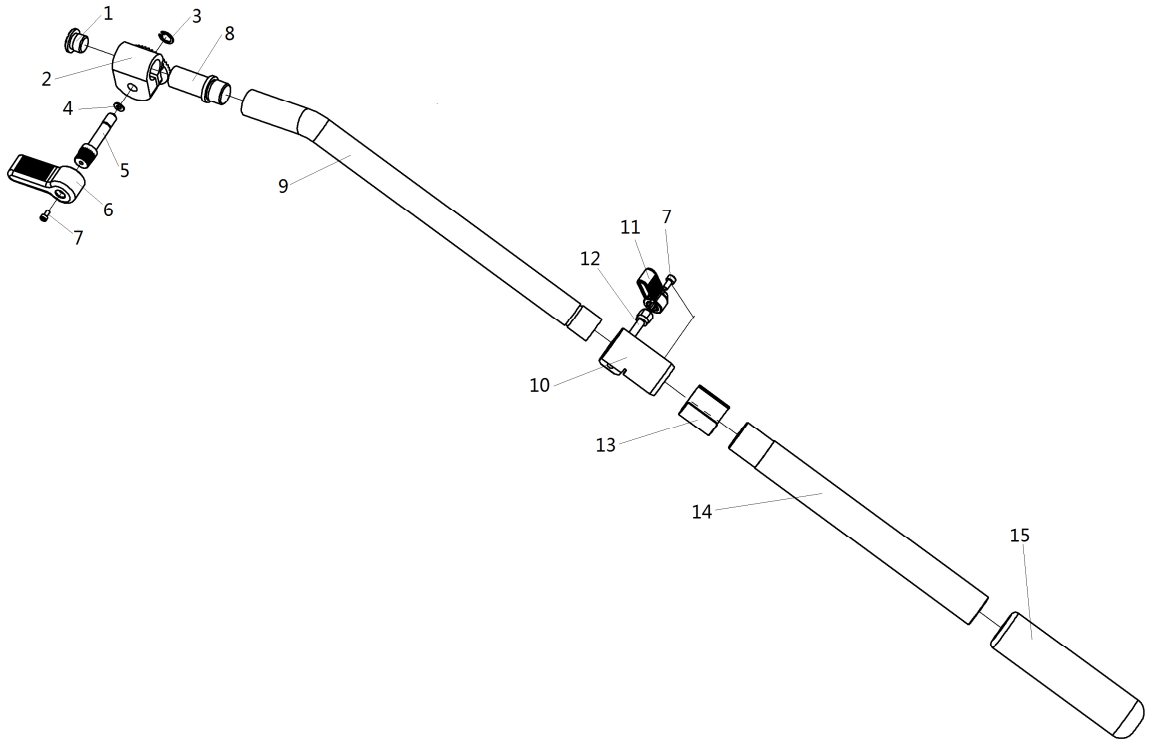


Fig. 8 REACH PLUS 4 Fluid Head—Pan Bar Unit Assembly

| Item No. | Part No. | Nomenclature | Qty. |
|----------|-----------------|---|------|
| Fig. 8 | SC351-00-14 | Pan Bar Unit Assembly | |
| 1 | SC326-00-07-14 | Pan bar screw cap | 1 |
| 2 | SC351-00-06-01 | Pan bar locking clamp | 1 |
| 3 | GBT894Z8 | Circlip, standard ϕ 8 | 1 |
| 4 | GBT97P4 | Washer, plain, 4 | 1 |
| 5 | SC326-00-07-09 | Pan bar clamp shaft | 1 |
| 6 | SC324-00-06-10 | Pan bar clamping lever | 1 |
| 7 | GBT70NYM4x8 | Screw, cheese head, hexagon socket,M4 X8 | 2 |
| 8 | SC351-00-06-06 | Pan bar core | 1 |
| 9 | SC351-00-06-02 | Pan bar inner rod | 1 |
| 10 | SC351-00-14-01 | Brake ring | 1 |
| 11 | SC324-00-00-01 | Brake knob | 1 |
| 12 | SC318E-01-01-12 | Mid-level Spreader brake shaft | 1 |
| 13 | SC351-00-14-03 | Pan bar sleeve | 1 |
| 14 | SC351-00-14-02 | Pan bar outer rod | 1 |
| 15 | SC351-00-06-05 | Pan bar grip | 1 |
| —16 | GB-T 3452.1 | Rubber ring, O-sealing, 12.5X1.8 | 1 |

SC-EFP/CF100D Tripod Leg Assembly

Illustrated Parts List

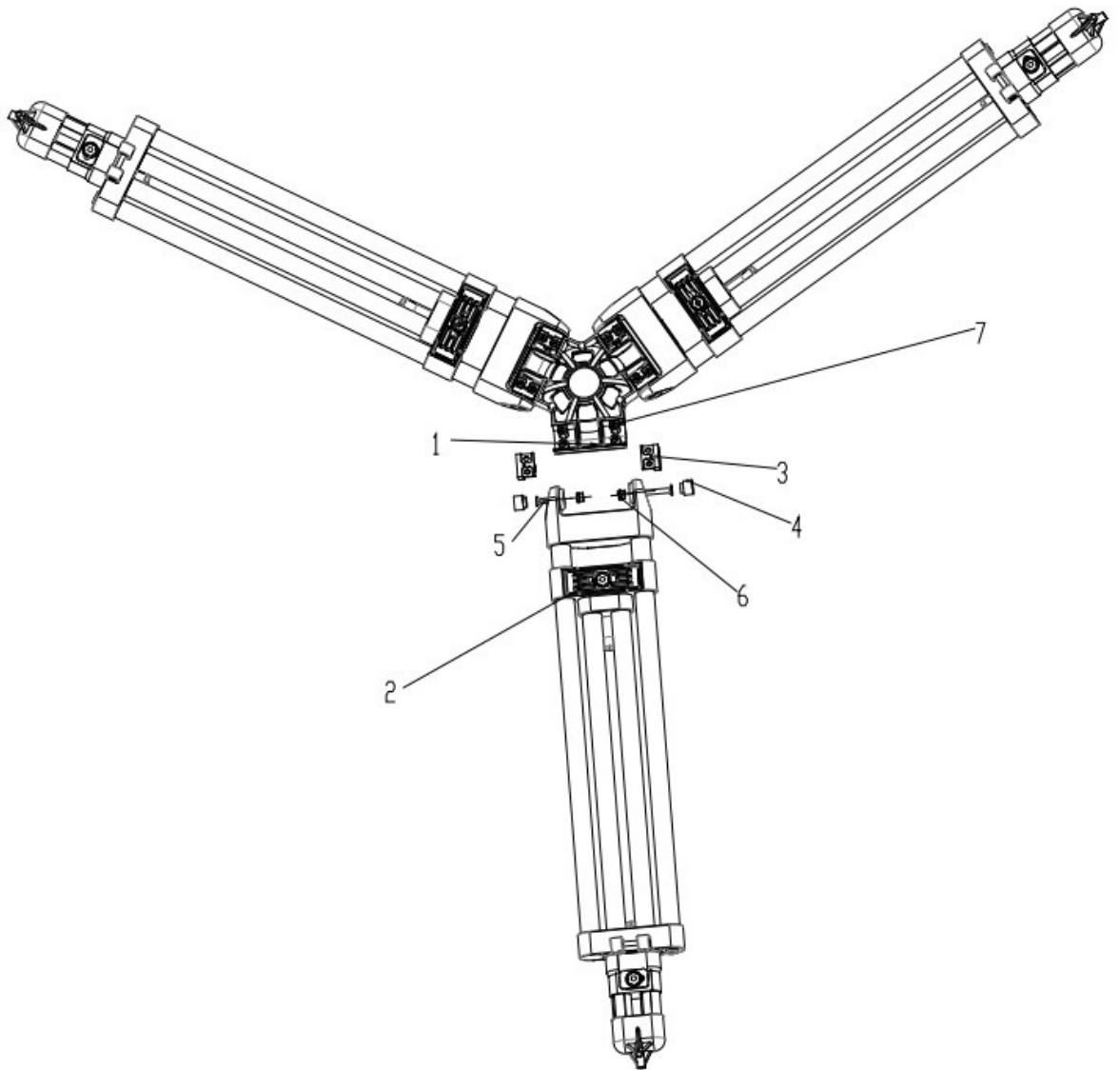


Fig.1 : SC-EFP/CF100D Tripod Leg Assembly

| Item No. | Part No. | Nomenclature | Qty. |
|----------|----------------|------------------------------------|------|
| Fig.1 | SC311E-00 | Tripod Leg Assembly | |
| 1 | SC311-00-00-01 | Tripod Bowl | 1 |
| 2 | SC311E-00-01 | Single leg section (Fig.2) | 3 |
| 3 | SC311-00-00-02 | Tripod bowl joint | 6 |
| 4 | SC311-00-01-11 | Leg top bracket shaft sleeve | 6 |
| 5 | GBT70NCM6X35 | Screw, csk head, hex socket, M6x35 | 6 |
| 6 | GBT889M6 | tightening screw, M6 | 6 |
| 7 | GBT823PM5X12 | Screw, pan head, pozidriv, M5x12 | 12 |

| Item No. | Part No. | Nomenclature | Qty. |
|----------|-----------------|--------------------------------------|------|
| Fig. 2 | SC311E-00-01 | Single Leg Section Assembly | |
| 1 | SC311-00-01-01 | Leg top bracket | 1 |
| 2 | SC311-00-01-02 | upper lock sleeve | 1 |
| 3 | SC311E-00-01-30 | Upper lock plate | 1 |
| 4 | GBT798M6x45 | Articulated screwed pin M6x45 | 1 |
| 5 | GBT119B5x32 | Pin, dowel, parallel, B5x32 | 2 |
| 6 | SC311E-00-01-32 | Outer leg tube I | 2 |
| 7 | SC311-00-01-03 | Sliding Cube | 1 |
| 8 | SC318E-00-01-42 | Mid spreader fixing shaft | 1 |
| 9 | SC318-00-01-28 | Mid spreader fixing sleeve | 2 |
| 10 | GBT701M4x8 | Screw, cheese head, hex socket, M4x8 | 2 |
| 11 | SC311E-00-01-33 | Outer leg tube II | 2 |
| 12 | SC318E-00-01-40 | Upper clamping lever | 2 |
| 13 | GBT798M6x35 | Articulated screwed pin M6x35 | 1 |
| 14 | SC311E-00-01-31 | Lower lock plate | 1 |
| 15 | SC327-00-01-06 | upper tightening screw | 2 |
| 16 | GBT701M3x6 | Screw, cheese head, hex socket, M3x6 | 2 |
| 17 | SC311E-00-01-34 | inner leg tube | 2 |
| 18 | SC311-00-01-04 | Lower locking sleeve | 1 |
| 19 | SC311-00-01-17 | protective housing | 2 |
| 20 | SC311-00-01-20 | Feet sleeve support | 1 |
| 21 | SC317-00-01-13 | Feet pin | 2 |

Floor Spreader Illustrate Parts List

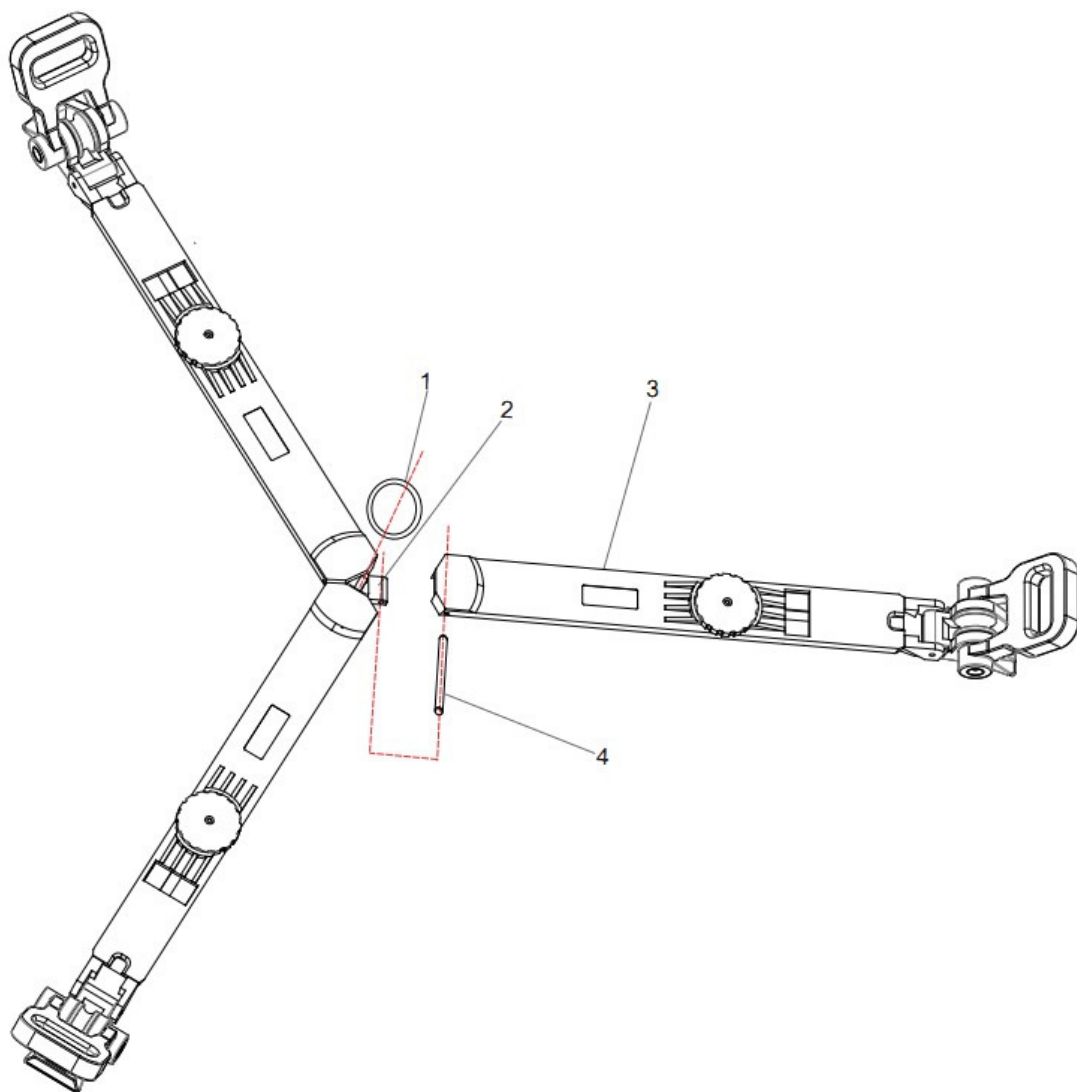


Fig.1: Floor Spreader

| Item No. | Part No. | Nomenclature | Qty. |
|----------|-----------------|--------------------------------|------|
| Fig.1 | SC318E-02 | Floor Spreader | |
| 1 | YSH24 | Ring Φ 24 | 1 |
| 2 | SC318E-02-00-10 | Connecting core | 1 |
| 3 | SC317-00-01 | Spreader unit (Fig.2) | 3 |
| 4 | GBT119 B4x40 | Pin, dowel, parallel, B4x40 | 3 |

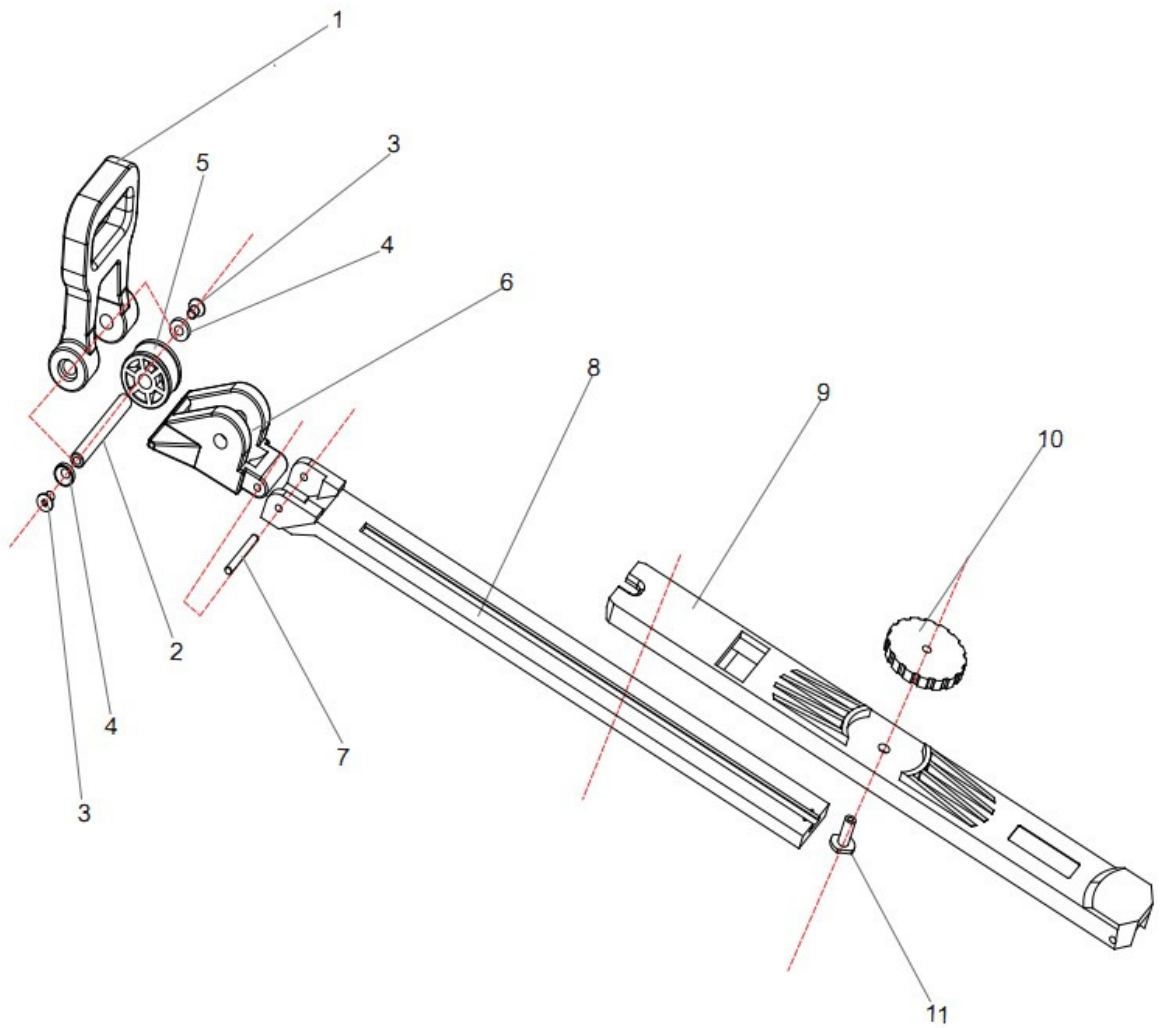


Fig.2: Floor Spreader Single Leg Assembly

| Item No. | Part No. | Nomenclature | Qty. |
|----------|-----------------|------------------------------------|------|
| Fig. 2 | SC317-00-01 | Floor Spreader Single Leg Assembly | |
| 1 | SC317-01-00-07 | Retaining strap | 1 |
| 2 | SC317-01-00-04 | Shaft | 1 |
| 3 | GBT703 M5x10 | Screw, csk head, hex socket, M5x10 | 2 |
| 4 | SC317-01-00-06 | Blocking washer | 2 |
| 5 | SC317-01-00-03 | Spreader wheel | 1 |
| 6 | SC317-01-00-01 | Foot base | 1 |
| 7 | GBT119 B4x40 | Pin, dowel, parallel, B4x40 | 3 |
| 8 | SC318-02-01-02 | Inner leg | 1 |
| 9 | SC318-02-01-03 | Outer leg | 1 |
| 10 | SC318E-02-01-06 | Clamping knob II | 1 |
| 11 | SC318E-02-00-04 | Clamping screw | 1 |

Mid-level Spreader Unit Assembly

Illustrated Parts List

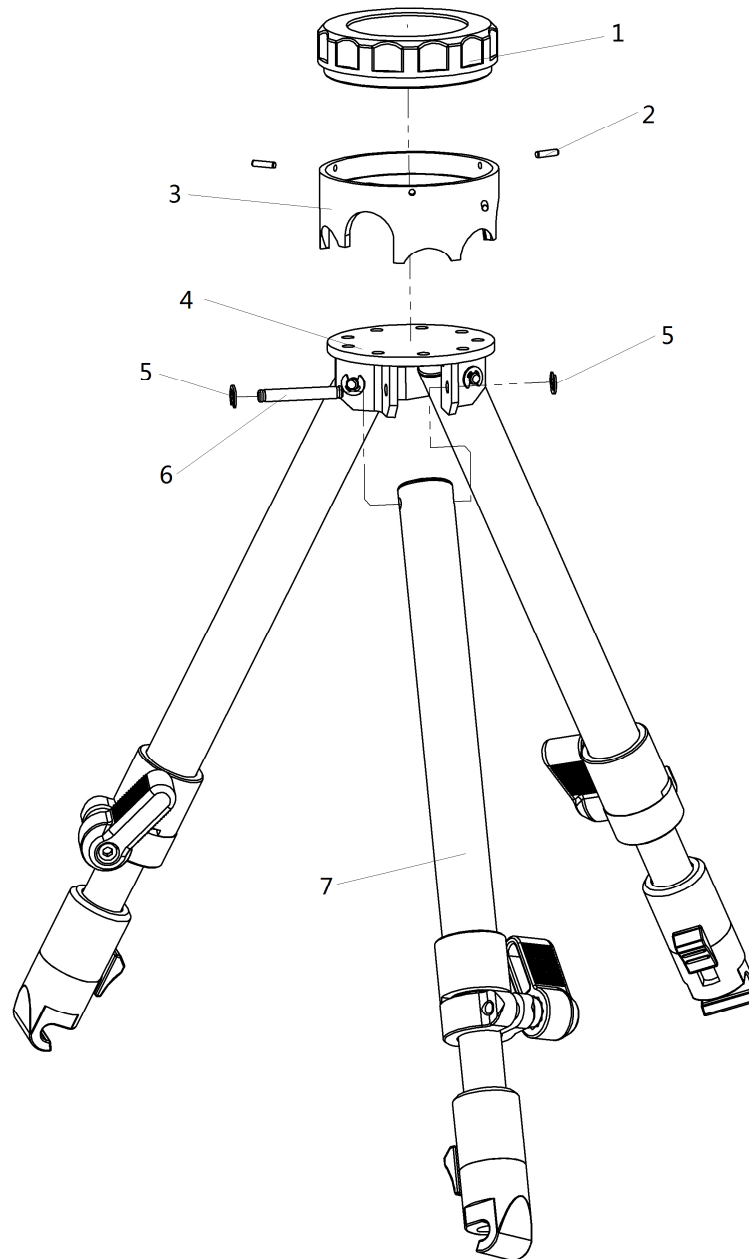


Fig. 1 327 Mid-level Spreader Unit Assembly

| Item No. | Part No. | Nomenclature | Qty. |
|----------|----------------|----------------------------------|------|
| Fig. 1 | SC327-02A | Mid-level Spreader Unit Assembly | |
| 1 | SC327-02-00-01 | Clamping knob | 1 |
| 2 | GBT119P2X8 | Pin, dowel, parallel, 2x8 | 3 |
| 3 | SC327-02-00-03 | Blocking Ring | 1 |
| 4 | SC327-02-00-02 | central frame for knob | 1 |
| 5 | GB/T896 | open-end Blocking washer 3.5 | 6 |
| 6 | SC327-02-00-04 | shaft | 3 |
| 7 | SC327-02-01A | Mid-Level Spreader leg | 3 |
| —8 | SC315-00-08-03 | spring | 1 |
| | SB-5 | Steel ball, $\phi 5$ | 1 |
| —9 | GBT879B3x4 | Pin, spring-type, slotted, 3X4 | 3 |

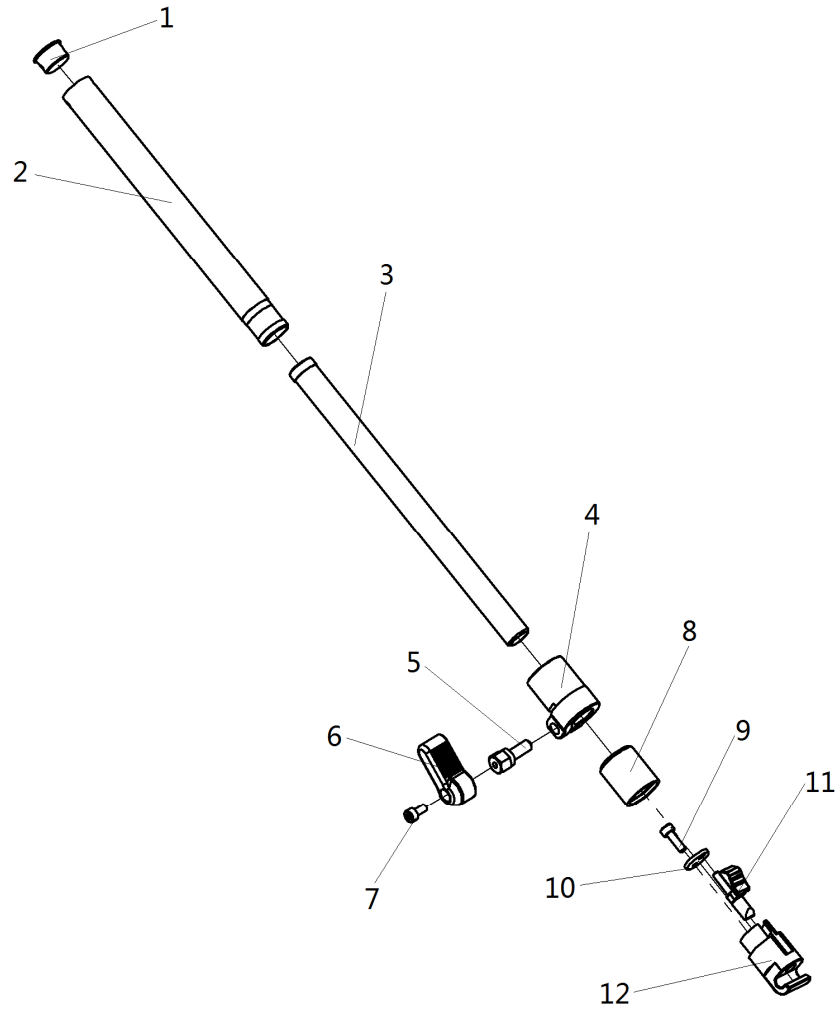


Fig.2: Mid-level Spreader Single Leg Assembly

| Item No. | Part No. | Nomenclature | Qty. |
|----------|------------------|--|------|
| Fig. 2 | SC327-02-01A | Mid-level Spreader Single Leg Assembly | |
| 1 | SC327-02-01-06 | Mid-level Spreader Stopper | 1 |
| 2 | SC327-02-01-01 | Mid-level Spreader outer tube | 1 |
| 3 | SC327-02-01-02 | Mid-level Spreader inner tube | 1 |
| 4 | SC327-02-01-03 | Mid-level Spreader brake ring | 1 |
| 5 | SC327-02-01-04 | Mid-level Spreader brake shaft | 1 |
| 6 | SC324-00-00-01 | Brake knob | 1 |
| 7 | GBT70.1 M4X8 | Screw, cheese head, hex socket, M4x8 | 1 |
| 8 | SC327-02-01-05A | Mid-level Spreader shaft | 1 |
| 9 | GBT70.1 M4X12 | Screw, cheese head, hex socket, M4x12 | 1 |
| 10 | SC318E-01-01-20 | locating washer | 1 |
| 11 | SC318E-01-01-18 | Mid-level Spreader knob | 1 |
| 12 | SC318E-01-01-17A | Mid-level Spreader Connecting core | 1 |