

SECCED®

REACH PLUS 3 Fluid Head Tripod Maintenance Manual

Version 1
March.15.2013



Copyright © 2013, Beijing United Victory Co., Ltd

All rights reserved throughout the world. No part of this document may be stored in a retrieval system, transmitted, copied or reproduced in any way including, but not limited to, photocopy, photograph, magnetic or other record without the prior agreement and permission in writing of Beijing United Victory Co., Ltd
Secced is registered trademark of Beijing United Victory Co., Ltd

. Publisher: Beijing United Victory Co., Ltd
Website: www.secced.com

REACH PLUS 3 Fluid Head
Illustrated Parts List

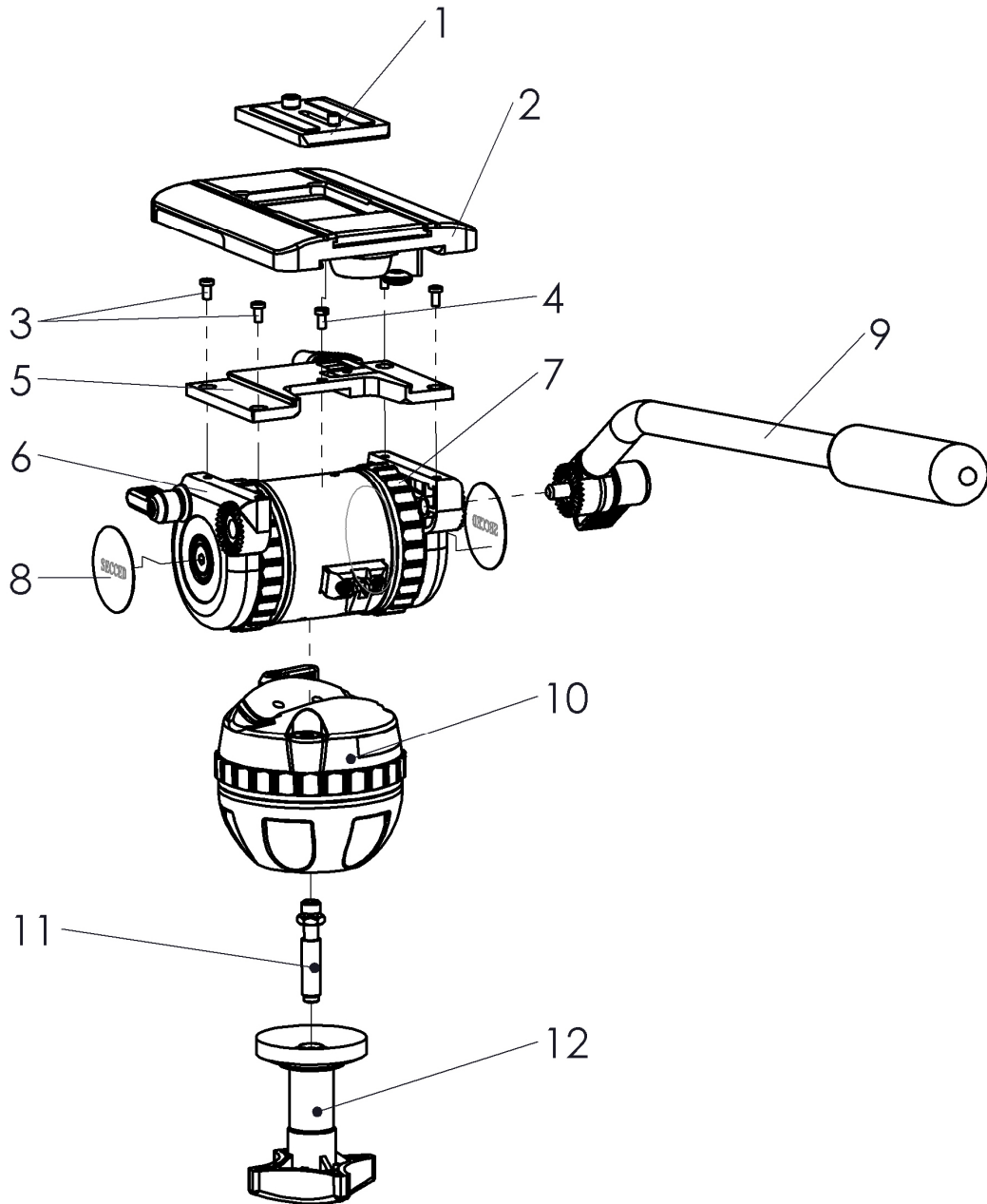


Fig. 1: REACH PLUS 3 Fluid Head

Item No.	Part No.	Nomenclature	Qty.
Fig. 1	SC348A-00	REACH PLUS 1 Fluid Head	
1	SC345A-00-12	Wedge plat unit	1
2	SC348-00-05	Sliding plate unit	1
3	GB/T818-2000	Screw, pan head, pozidriv, M4x8	4
4	GB/T65-2000	Screw, Cheese head, Slotted M4x8	1
5	SC348A-00-10	Slide plate lock unit	1
6	SC348A-00-03	Tilt Brake and Drag unit assembly	1
7	SC348A-00-02	Balance Mechanism Assembly	1
8	SC348A-00-00-01	Fluid Head Logo	2
9	SC324-00-06	Pan Bar Unit Assembly	1
10	SC348-00-04	Pan unit assembly-Pan Drag	1
11	SC324-00-00-04	Bowl clamp shaft	1
12	SC346-00-09	Bowl clamp knob	1

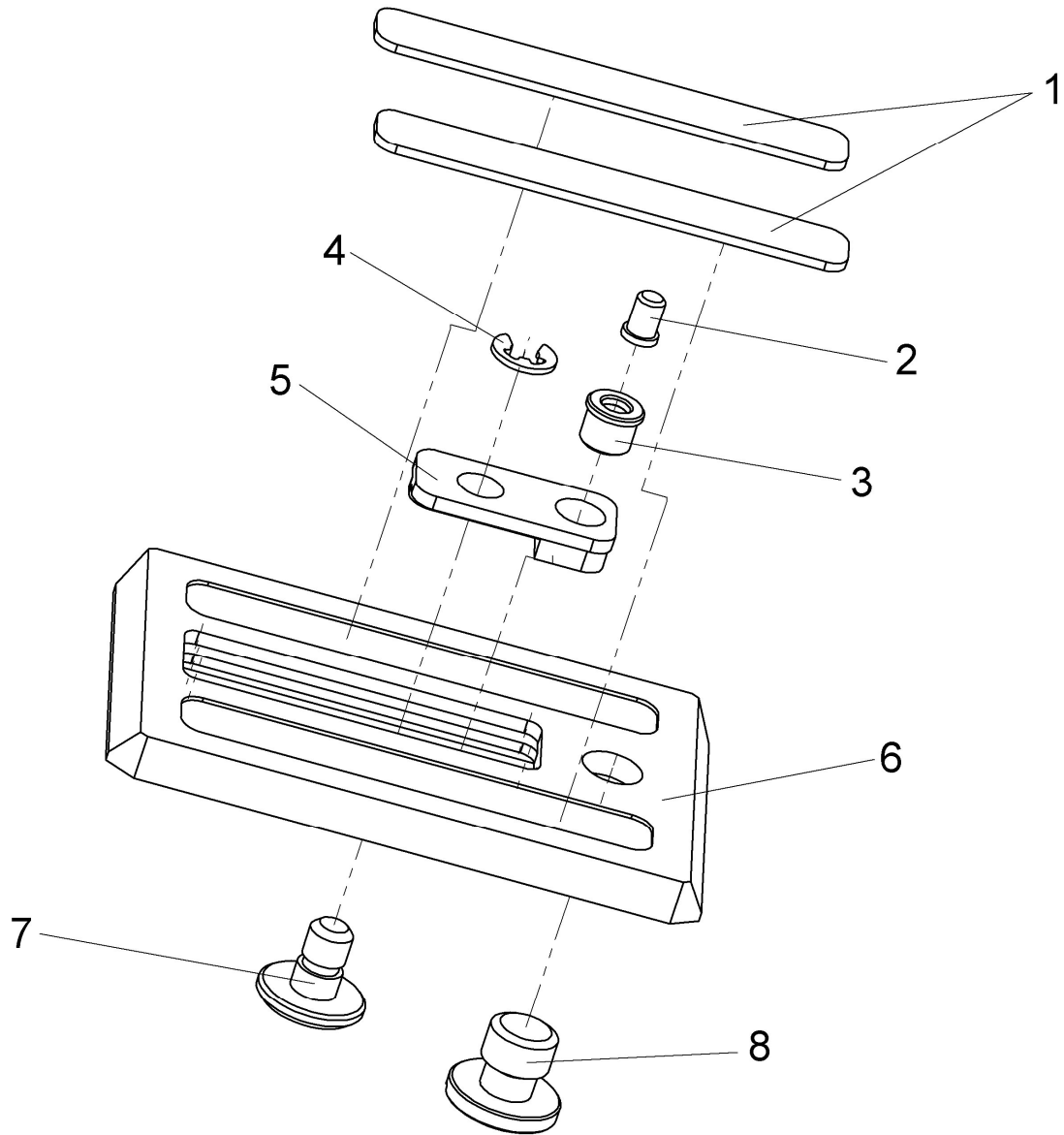


Fig.2: REACH PLUS 3 Fluid Head —Wedge Plate Unit Assembly

Item No.	Part No.	Nomenclature	Qty.
Fig. 2	SC345A-00-12	Wedge Plate Unit Assembly	
1	SC343-00-12-08	Non-slip plate, leather	2
2	SC343-00-12-06	DV location pin	1
3	SC343-00-12-05	Pin spring	1
4	GBT894Z8	Circlip, standard	1
5	SC343-00-12-02	Sliding Cube	1
6	SC345A-00-12-01	Wedge plate	1
7	SC343-00-12-03	Screw	1
8	SC324-00-12-03	3/8" Screw	1

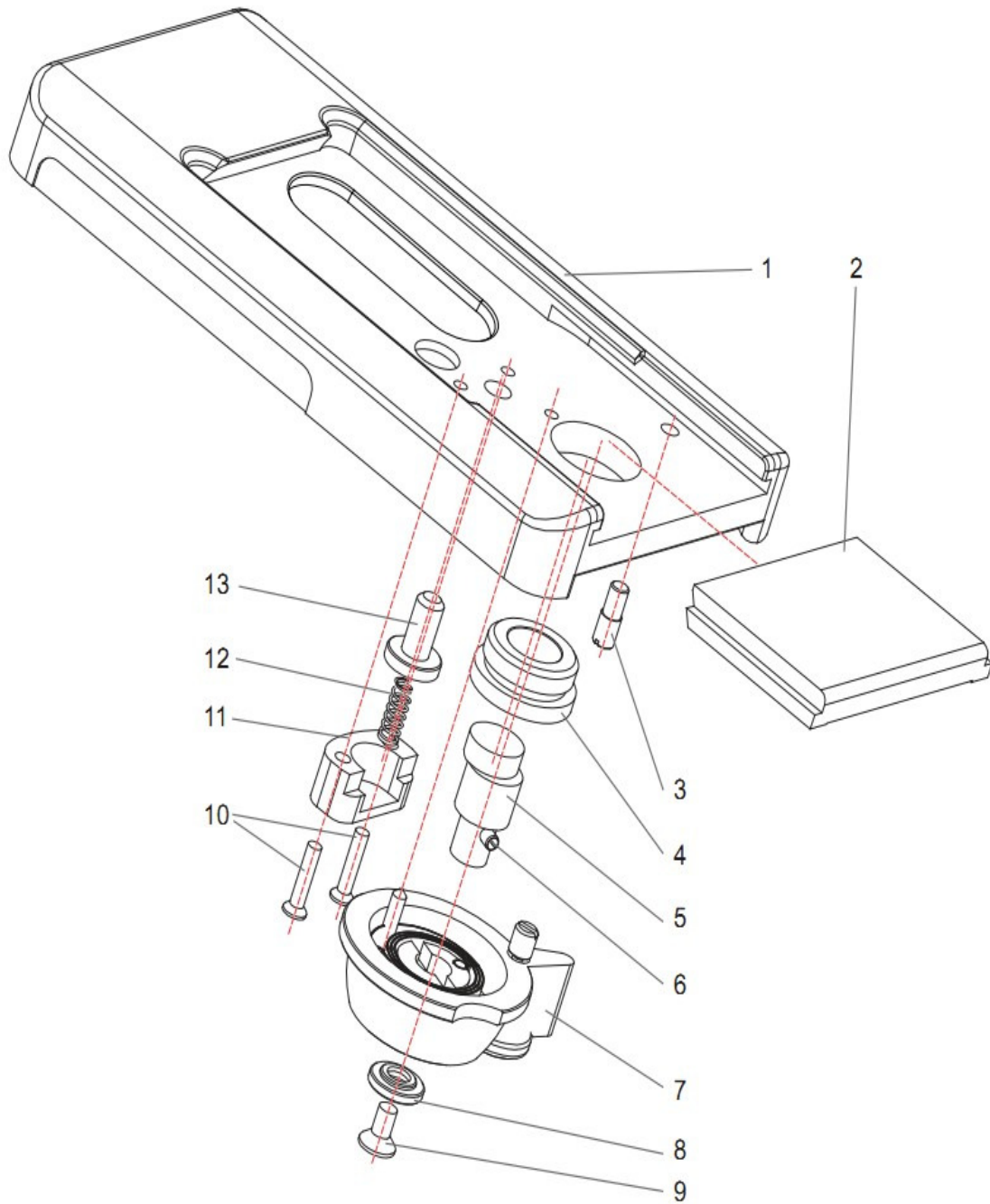


Fig. 3: REACH PLUS 3 Fluid Head—Sliding Plate Unit Assembly

Item No.	Part No.	Nomenclature	Qty.
Fig. 3	SC348-00-05	Sliding Plate Unit Assembly	
1	SC348-00-05-01	Slide plate	1
2	SC324-00-05-02	Wedge plate block	1
3	P-TS-4 X12	Pin, thread, slotted 4X12	1
4	SC324-00-05-03	Axle sleeve	1
5	SC334-00-06-06	Eccentric axle	1
6	P-SS-3 X14	Pin, spring-type, slotted, 2X12	1
7	SC324-00-11	Quick release knob Assembly	1
8	SC334-00-06-08	Washer	1
9	S-PCO-4 X8	Screw, csk head, pozidriv, 4 X8	1
10	S-PCO-3 X12	Screw, csk head, pozidriv, 3x12	2
11	SC324-00-05-05	Pressing pad	1
12	SC324-00-05-07	Spring for control pillar	1
13	SC324-00-05-06	Wedge plate control pillar	1

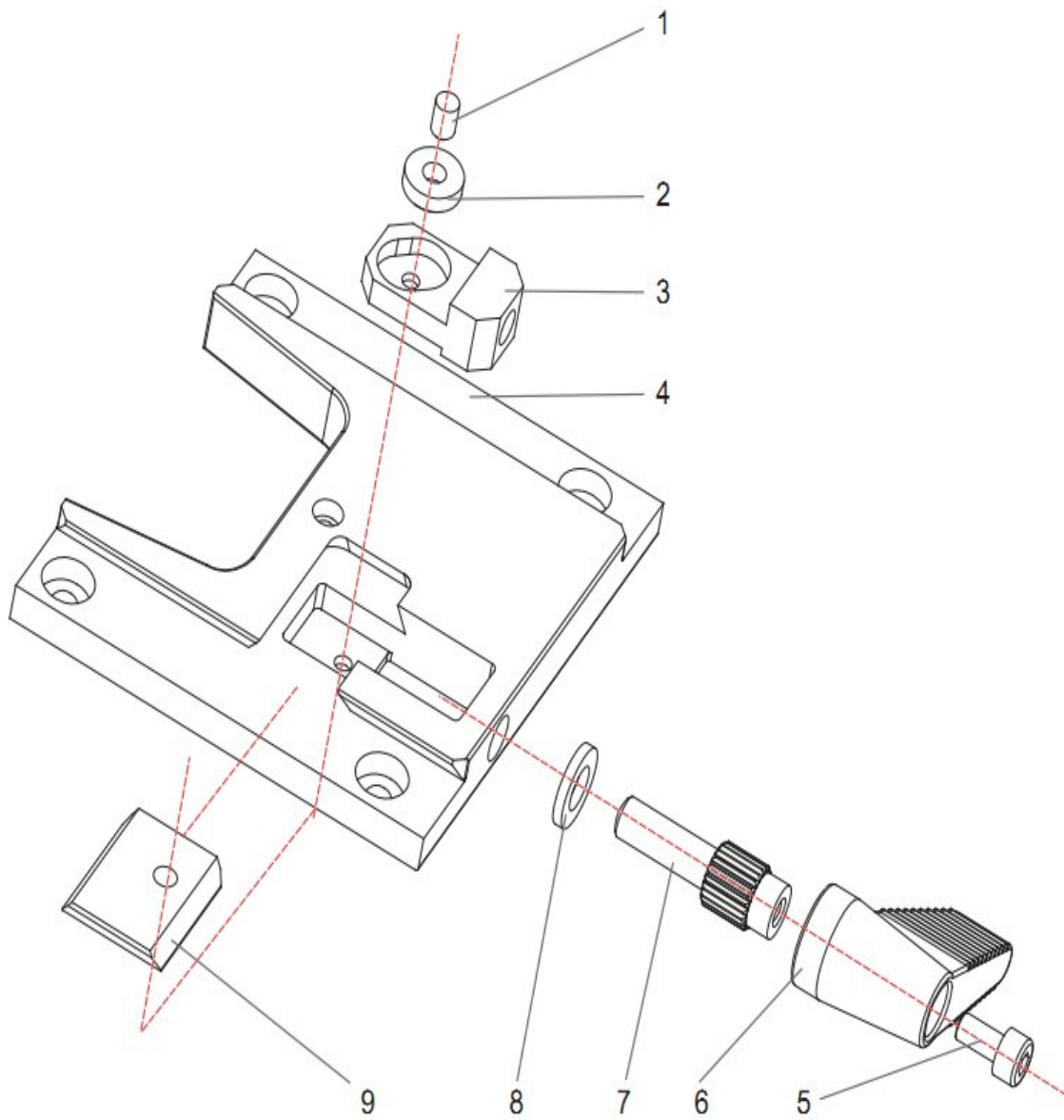


Fig.4: REACH PLUS 3 Fluid Head —Slide Plate Lock Assembly

Item No.	Part No.	Nomenclature	Qty.
Fig. 4	SC348A-00-10	Slide Plate Lock Assembly	
1	SC324-00-10-04	Pin	1
2	SC324-00-10-05	Shaft sleeve	1
3	SC343-00-10-07	Sliding clamp pad	1
4	SC348A-00-10-01	Dovetail-formed plate	1
5	GBT70NYM4X8	Screw, cheese head, hex socket, M4x8	1
6	SC324-00-10-07	Slide plate clamp	1
7	SC324-00-10-06	Slide plate clamp shaft	1
8	W-P-6	Washer, plain, 6	1
9	SC344-00-10-02	Slide plate clamp pad	1

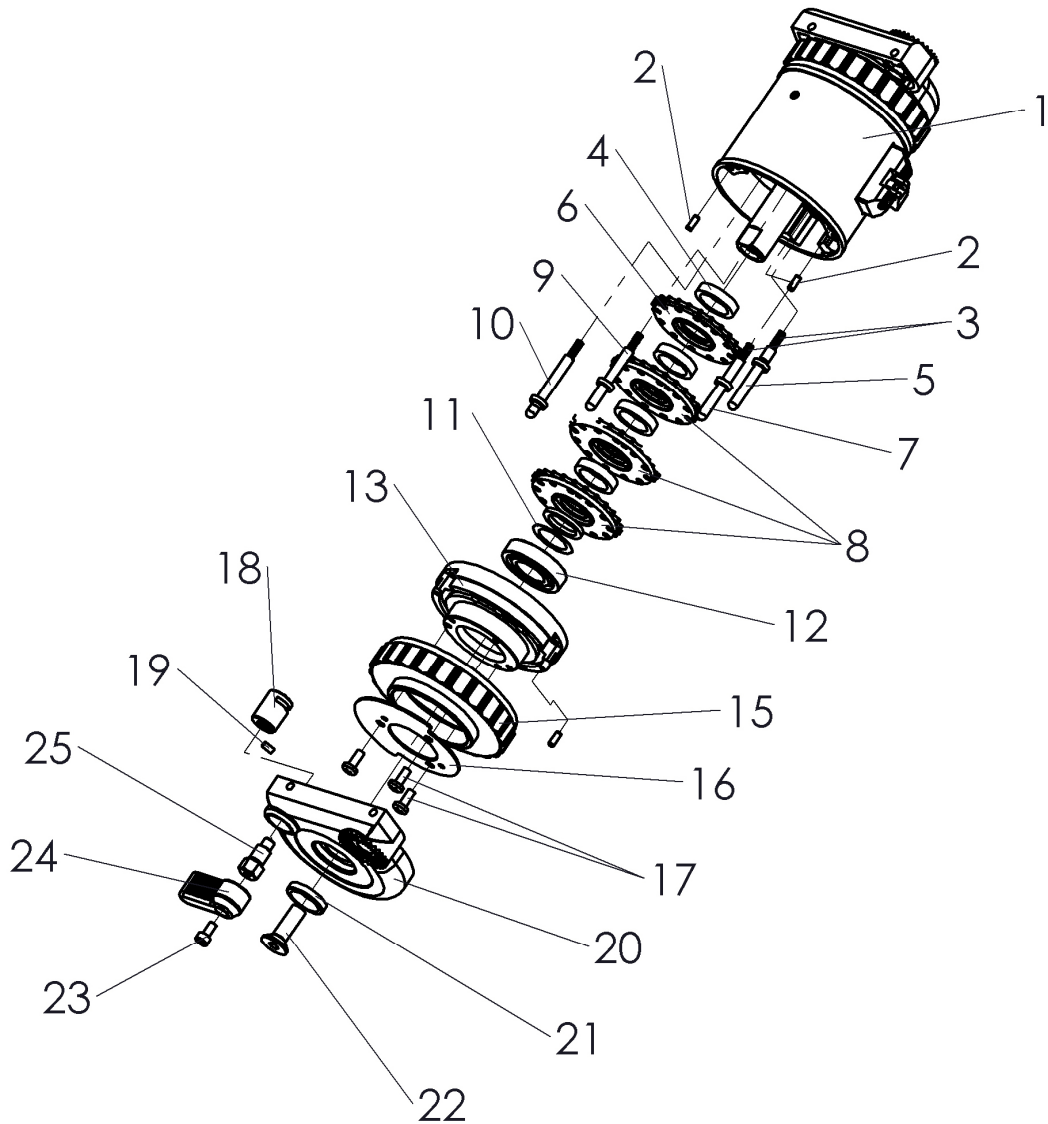


Fig. 5: REACH PLUS 3 Fluid Head —Tilt Brake and Drag Unit Assembly

Item No.	Part No.	Nomenclature	Qty.
Fig. 5	SC348A-00-03	Tilt Brake and Drag Unit Assembly	
1	SC348A-00-02	Balance mechanism assembly (Fig.6)	1
2	PPD-3x8	Pin, dowel, parallel, uhd steel, A3x8	5
3	LR03-025	standard spring	4
4	SC324-00-03-06	Washer, plain (thick)	4
	SC324-00-03-07	Washer, plain (thin)	1
5	SC348-00-03-05	Locating pillar IV	1
6	SC343-00-07	Drag disk (thin)	1
7	SC348-00-03-04	Locating pillar III	1
8	SC343-00-08	Drag disk (medium)	3
9	SC348-00-03-03	Locating pillar II	1
10	SC348-00-03-02	Locating pillar I	1
11	SC324-00-03-14	Adjusting washer I	AR
12	GBT276S16003	Bearing, deep groove ball	1
13	SC343-00-03-01	Tilt drag housing	1
—14	GBT70NYM4x12	Screw, cheese head, hex socket, M4x12	3
15	SC343-00-03-02	L.H. tilt drag knob	1
16	SC324-00-03-04	Tilt brake disk	1
17	GBT818XPM4x10	Screw, pan head, pozidriv M4X10	3
18	SC324-00-03-05	Screwed socket (tilt brake)	1
19	PPD-3x6	Pin, dowel, parallel, uhd steel, A3x6	1
20	SC324-00-03-08	L.H. side plate	1

Item No.	Part No.	Nomenclature	Qty.
Fig. 5			
21	SC324-00-02-15	Steel compression ring	1
22	GBT70NCM8x25	Screw, csk head, hex socket, M8x25	1
23	GBT70NYM4x8	Screw, cheese head, hex socket, M4x8	1
24	SC324-00-00-01	Brake knob	1
25	SC324-00-03-13	Tilt brake shaft	1
—26	GBT3452J7.1x1.8	Rubber ring, O-sealing, 7.1x1.8	1

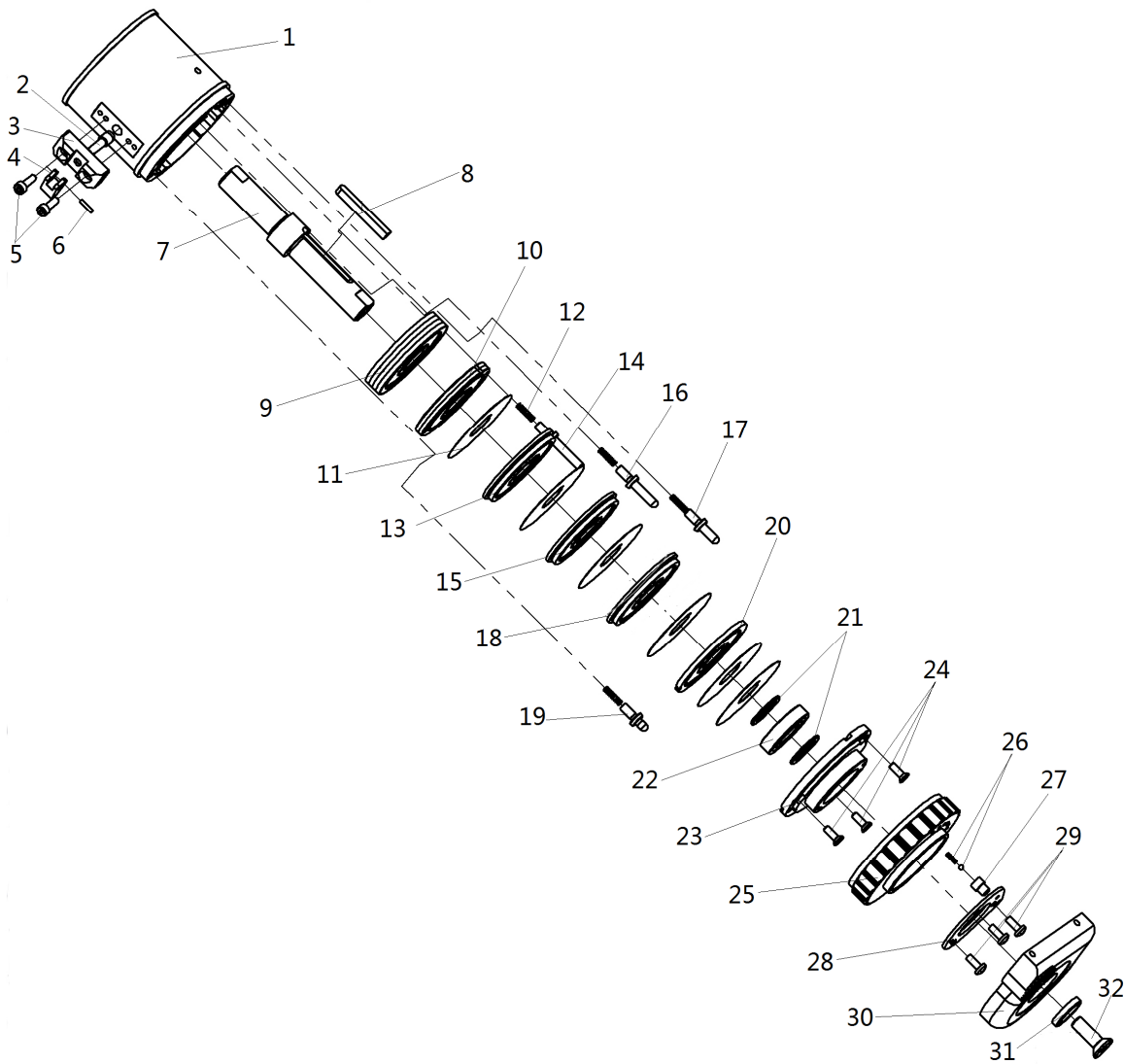


Fig.6 REACH PLUS 3 Fluid Head

—Counterbalance Mechanism Assembly

Item No.	Part No.	Nomenclature	Qty.
Fig. 6	SC348A-00-02	Counterbalance Mechanism Assembly	
1	SC348A-00-01-01	Main body	1
2	SC351A-00-20-02	Stepped control Pin	1
3	SC348A-00-20-01	Stepped control base	1
4	SC351A-00-20-03	clamping lever	1
5	GBT70.3M4X12	Screw, cheese head, hex socket, M4X12	2
6	GBT119A2X10	Pin, dowel, parallel, uhd steel, A2X10	1
7	SC348-00-02-01	Tilt unit shaft	1
8	SC348-00-02-02	Plain key, parallel	1
9	SC348A-00-19	Stepped control Counterbalance rubber disk	1
10	SC348A-00-02-05	Washer	1
11	SC324-00-02-16	Friction bedding	6
12	LR03-025	standard spring	4
13	SC345-00-17	Counterbalance rubber disk (medium)III	1
14	SC345-00-02-11	Counterbalance locating pillar IV	1
15	SC345-00-16	Counterbalance rubber disk (medium) II	1
16	SC343-00-02-11	Counterbalance locating pillar III	1
17	SC343-00-02-10	Counterbalance locating pillar II	1
18	SC343-00-15	Counterbalance rubber disk (medium) I	1
19	SC343-00-02-09	Counterbalance locating pillar I	1
20	SC345-00-02-15	Counterbalance rubber disk (think)	1
21	SC343-00-02-12	side plate washer	2

Item No.	Part No.	Nomenclature	Qty.
22	GBT276S16003	Bearing, deep groove ball	1
23	SC345-00-02-01	Counterbalance housing	1
24	GBT70NCM4x12	Screw, csk head, hex socket, M4X12	3
25	SC345-00-02-02	Counterbalance knob	1
26	SB-3&	Steel ball, $\phi 3$	1
	SC324-00-03-20	Counterbalance Spring for steel ball	1
27	SC324-00-02-12	Steel ball housing	1
28	SC324-00-02-11	R.H. pressing disk	1
29	GBT818XPM4x10	Screw, pan head, pozidriv, M4x10	3
30	SC324-00-02-13	R.H. side plate	1
31	SC324-00-02-15	Steel compression ring	1
32	GBT70NCM8x25	Screw, csk head, hex socket, M8x25	1
—33	PPD-3x8	Pin, dowel, parallel, uhd steel, A3x8	4

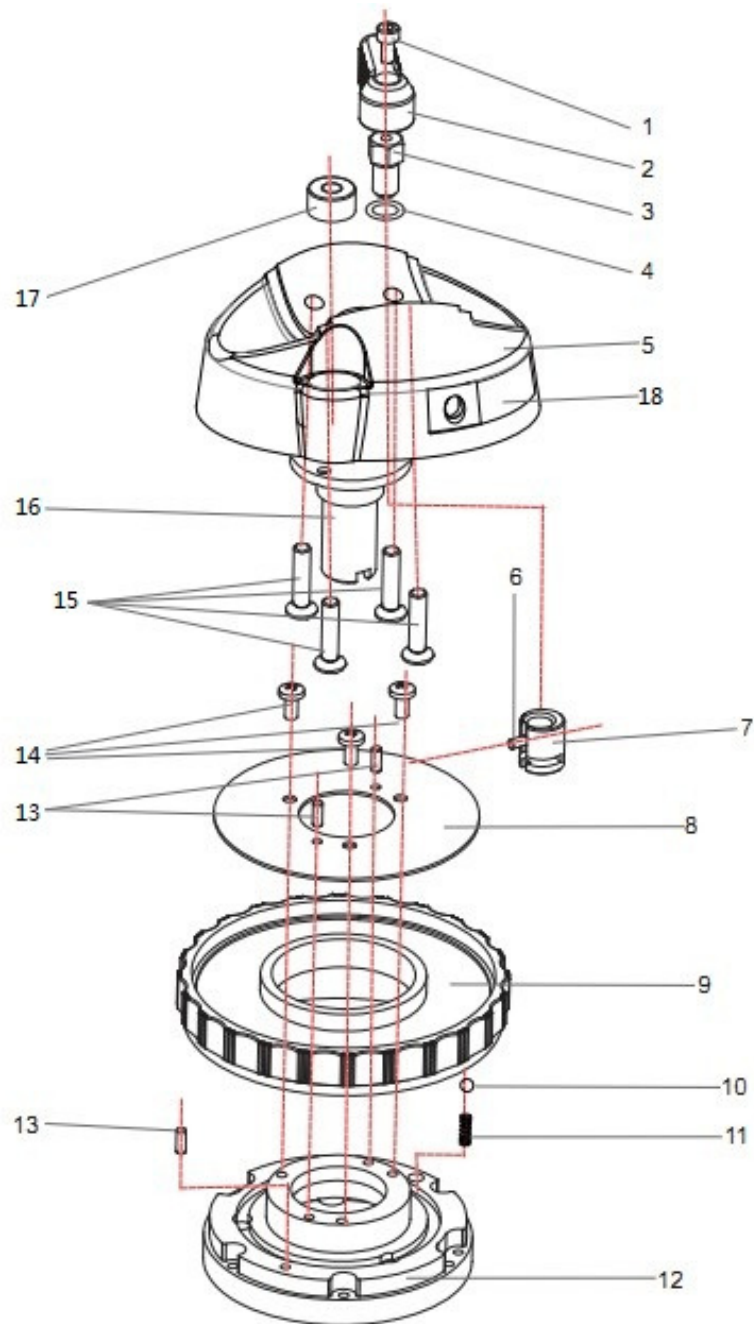


Fig.7.1 REACH PLUS 1 Fluid Head—Pan Unit Assembly -Pan Drag

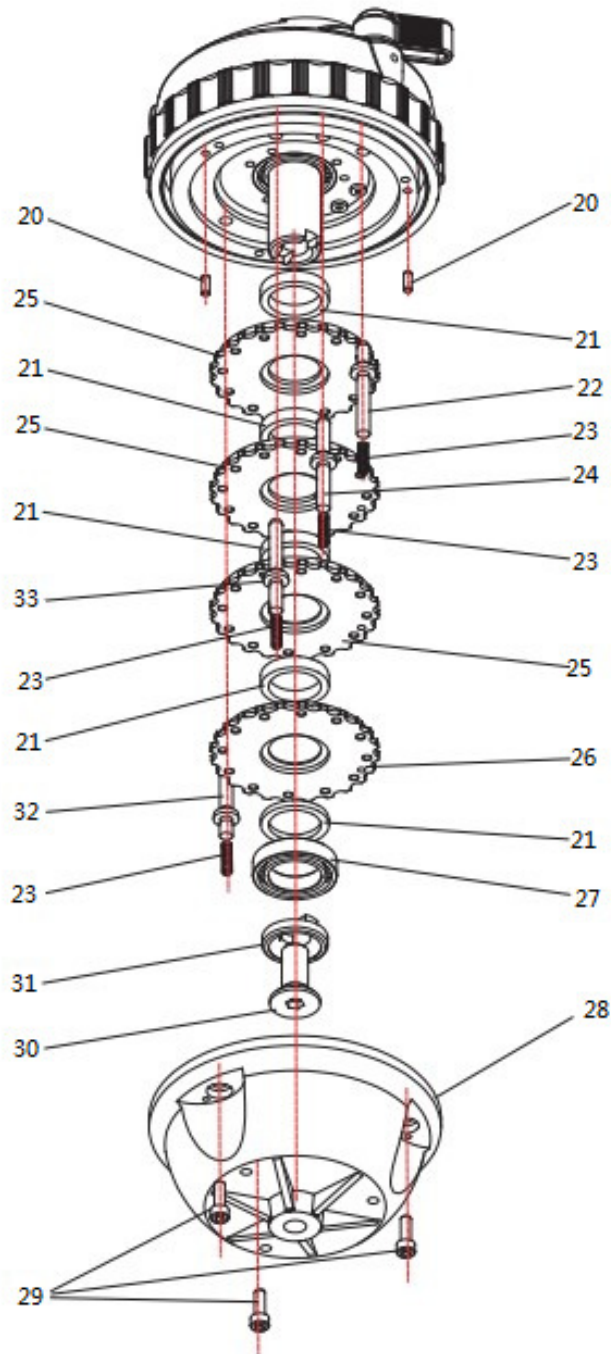


Fig.7.2 REACH PLUS 1 Fluid Head—Pan Unit Assembly -Pan Drag

Item No.	Part No.	Nomenclature	Qty.
Fig. 7	SC348-00-04	Pan Unit Assembly -Pan Drag	
1	S-HCH-4 X8	Screw, cheese head, hex socket, M4x8	1
2	SC324-00-00-01	Brake knob	1
3	SC346-00-01-03	Pan brake shaft	1
4	GBT3452J7.1x1.8	Rubber ring, O-sealing,7.1X1.8	1
5	SC348-00-01-02	Main body base	1
6	PPD-3x6	Pin, dowel, parallel, uhd steel, A3x6	1
7	SC346-00-01-02	Screwed socket (pan brake)	1
8	SC325-00-04-03	Pan brake disk	1
9	SC348-00-04-02	Pan drag knob	1
10	SB-3	Steel ball, ϕ 3	1
11	LR03-010	standard spring	1
12	SC348-00-04-01	Pan drag housing	1
13	PPD-3x8	Pin, dowel, parallel, uhd steel, A3x8	3
14	GBT818XPM4x10	Screw, pan head, pozi, M4x10	3
15	GBT70NCM5x25	Screw, cheese head, hex socket, M5x25	4
16	SC348-00-01-03	Pan unit shaft	1
17	LB-15x9	Level bubble, Φ 15x9	1
18	SC346-00-18	Power Supply	1
20	PPD-3x8	Pin, dowel, parallel, uhd steel, A3x8	2

Item No.	Part No.	Nomenclature	Qty.
Fig. 7			
21	SC324-00-03-06	Washer, plain (thick)	3
	SC324-00-03-07	Washer, plain (thin)	2
22	SC348-00-03-02	Locating pillar I	1
23	LR03-025	standard spring	4
24	SC348-00-03-03	Locating pillar II	1
25	SC343-00-08	Drag disk (medium)	3
26	SC343-00-07	Drag disk (thin)	1
27	GBT276S16003	Bearing, deep groove ball, 16003-2Z	2
28	SC348-00-04-04	Bowl base	1
29	S-HCH-4 X14	Screw, cheese head, hex socket	5
30	GBT70NCM8x25	Screw, cheese head, hex socket, M8x25	1
31	SC324-00-04-08	Steel blocking ring	1
32	SC348-00-03-05	Locating pillar IV	1
33	SC348-00-03-04	Locating pillar III	1

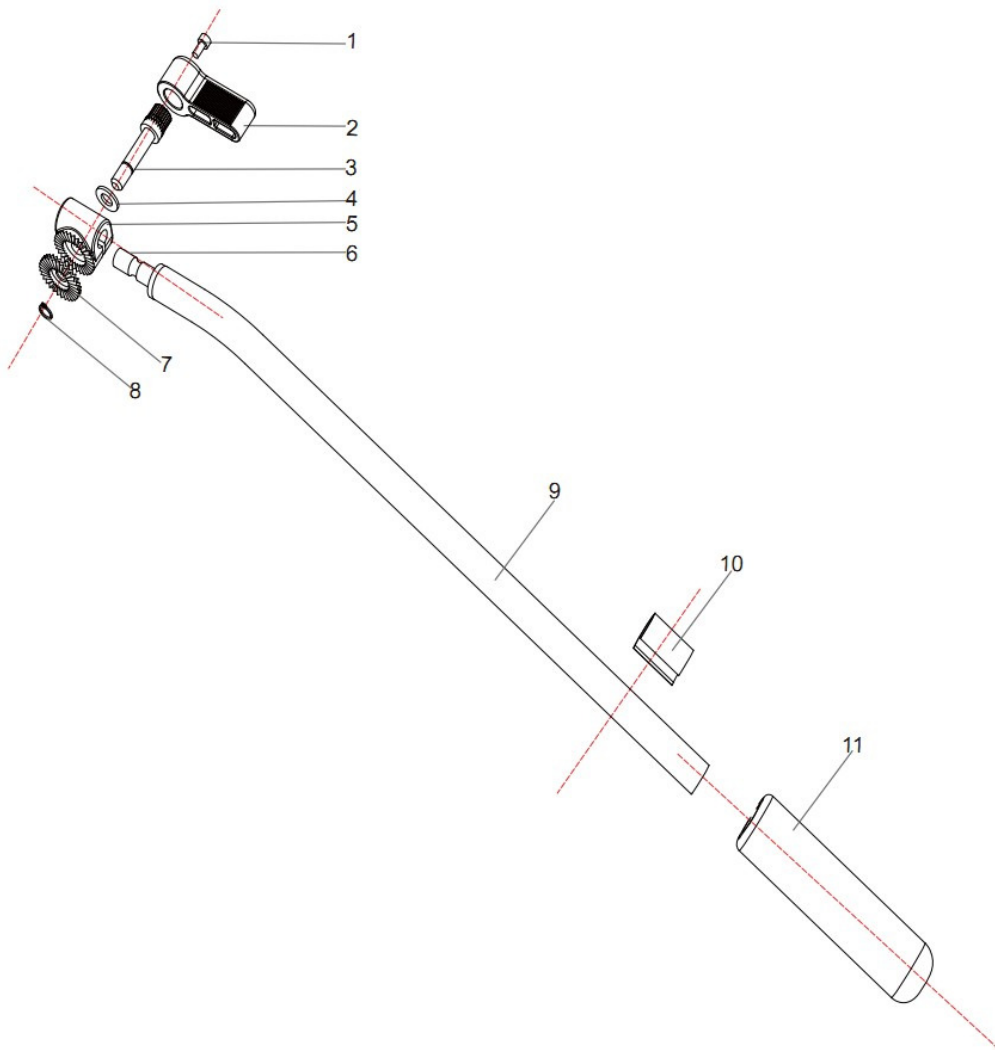


Fig. 8 REACH PLUS 3 Fluid Head—Pan Bar Unit Assembly

Item No.	Part No.	Nomenclature	Qty.
Fig. 8	SC324-00-06	Pan Bar Unit Assembly	
1	GBT70NYM4x8	Screw, cheese head, hexagon socket, M4x8	1
2	SC324-00-06-10	Pan bar clamping lever	1
3	SC324-00-06-06	Pan bar clamping shaft	1
4	GBT97P8	Washer, plain, 8	1
5	SC324-00-06-01	Pan bar clamping sleeve	1
6	SC343-00-06-02	Pan bar core	1
7	SC324-00-06-07	Pan bar clamping wahser	1
8	GBT894Z8	Circlip, standard	1
9	SC324-00-06-02	Pan bar	1
10	SC324-00-06-05	Pan bar sleeve	1
11	SC324-00-06-08	Pan bar grip	1

SC-ENG/CF100D Tripod Leg Assembly
Illustrated Parts List

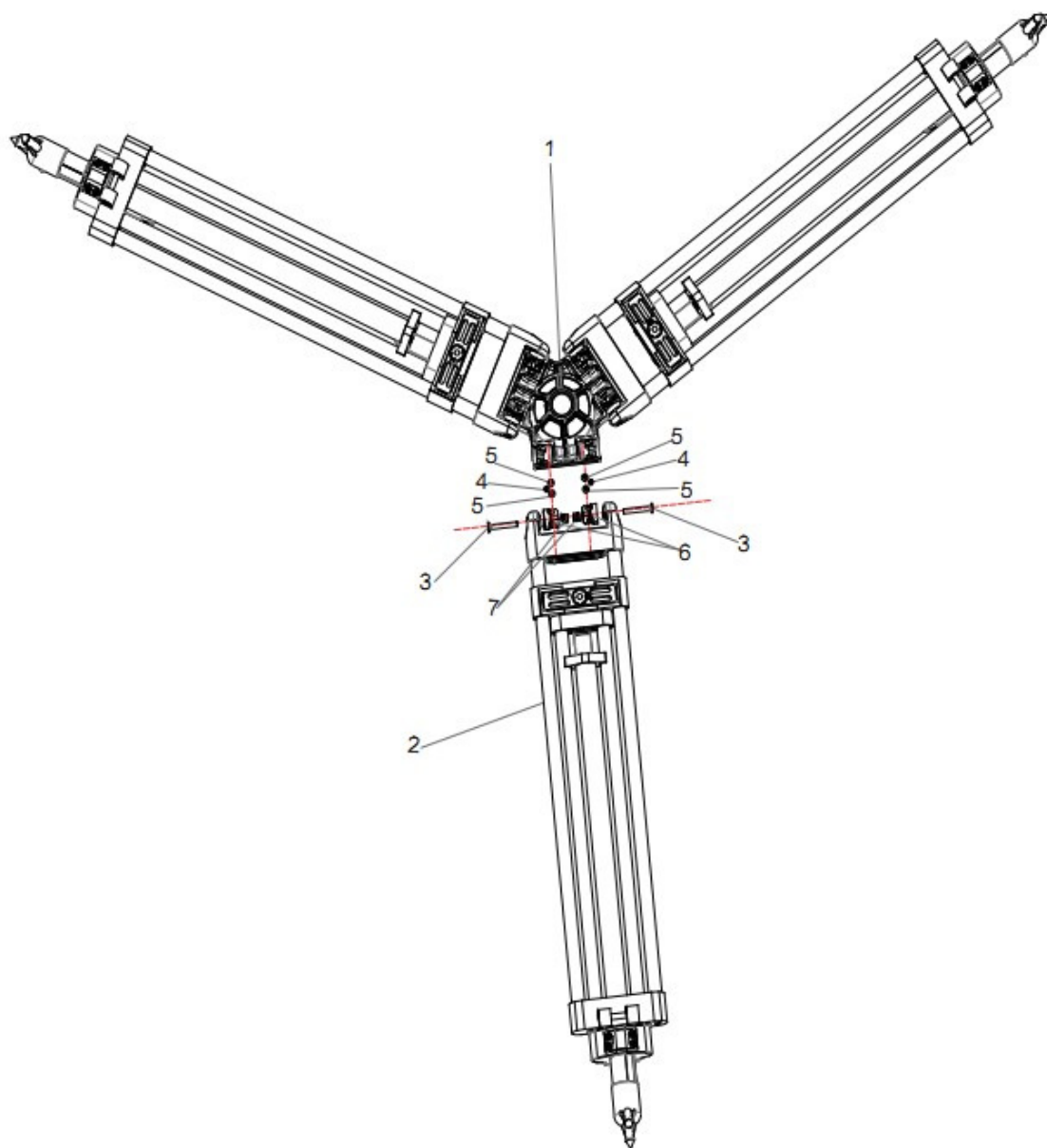


Fig.1 SC-ENG/CF100D Tripod Leg Assembly (for REACH6~8 Fluid Head)

Item No.	Part No.	Nomenclature	Qty.
Fig. 1	SC317E-00	Tripod Leg Assembly (Medium)	
1	SC318-00-00-01	Tripod Bowl	1
2	SC317E-00-01	Single leg section (Fig.2)	3
3	GBT70NCM5X35	Screw, csk head, hex socket, M5x30	6
4	GBT823PM3X10	Screw, pan head, pozidriv, M3x10	6
5	GBT823PM4X10	Screw, pan head, pozidriv, M4x8	12
6	SC318-00-01-02	Tripod bowl joint	6
7	GBT889M5	tightening screw, M5	6

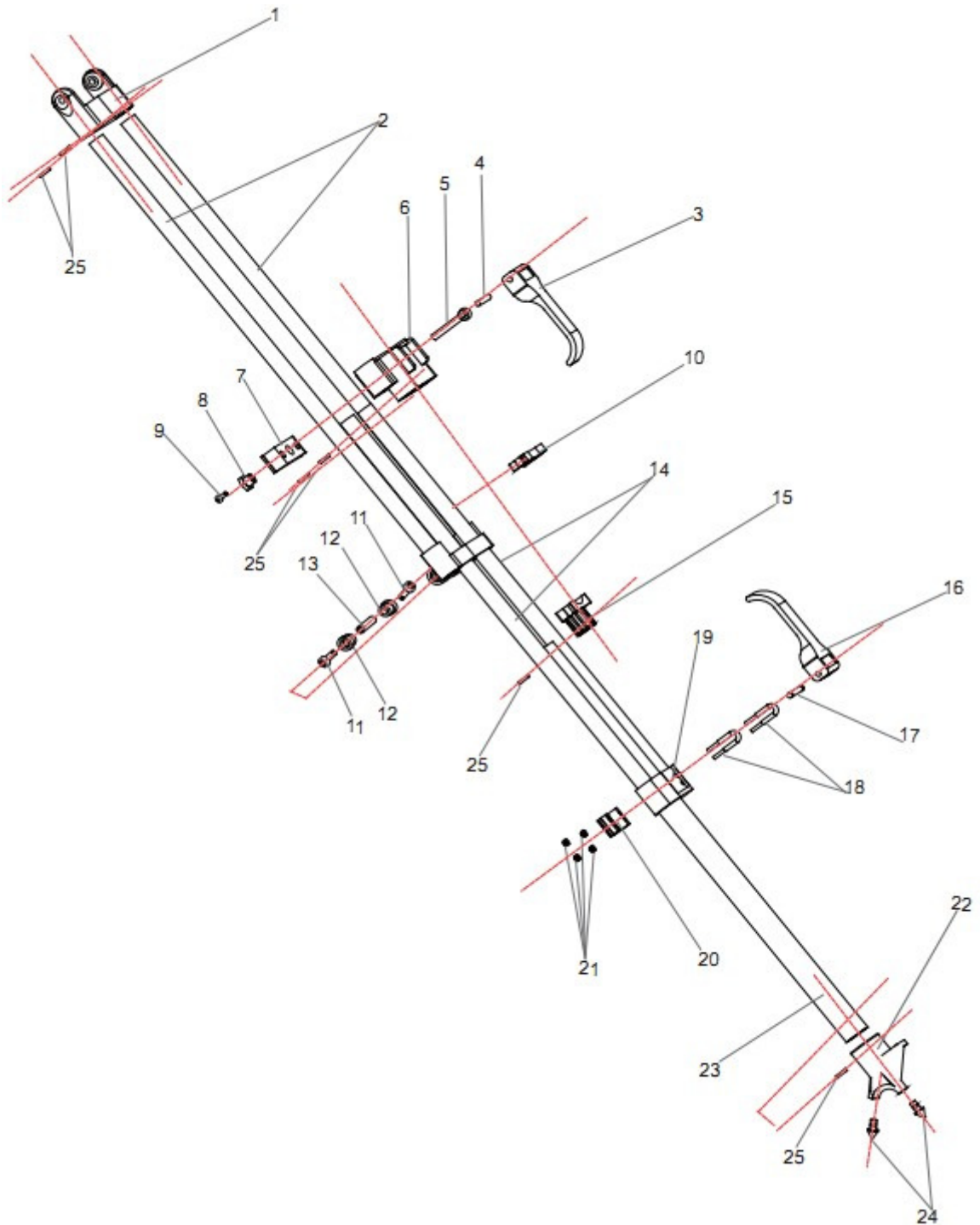


Fig.2. SC-ENG/CF100D Single Leg Section Assembly

Item No.	Part No.	Nomenclature	Qty.
Fig. 2	SC317E-00-01	Leg Section Assembly	
1	SC317-00-01-01	Leg top bracket	1
2	SC317E-00-01-32	Outer leg tube	2
3	SC318E-00-01-40	Upper clamping lever	1
4	GBT119B5x32	Pin, dowel, parallel, B5x32	1
5	GBT798M6x40	Articulated screwed pin M6x40	1
6	SC317-00-01-02	upper locking sleeve	1
7	SC317E-00-01-30	Upper lock plate	1
8	SC317-00-01-05	upper tightening screw	1
9	GBT701M3x6	Screw, cheese head, hex socket, M3x6	1
10	SC317-00-00-02	Leg clip	1
11	GBT701M4x8	Screw, cheese head, hex socket, M4x8	2
12	SC318-00-01-28	Mid spreader fixing sleeve	2
13	SC318E-00-01-42	Mid spreader fixing shaft	1
14	SC317E-00-01-34	Inner leg tube	2
15	SC317-00-01-11	Guide block	1
16	SC318E-00-01-41	Lower clamping lever	1
17	SC318-00-01-33	shaft	1
18	SC317-00-01-09	Brake knob accessory	2
19	SC317-00-01-07	Lower lock sleeve	1
20	SC317E-00-01-31	Lower lock plate	1

Item No.	Part No.	Nomenclature	Qty.
Fig. 2			
21	GBT889M3	non metal tightening screw, hex socket,M3	4
22	SC317-00-01-12	Feet sleeve	1
23	SC317E-00-01-33	Leg tube III	1
24	SC317-00-01-13	Feet pin	2
25	GBT8792SP3x8	Pin,spring-type, slotted, 3X8	1

Floor Spreader Illustrated Parts List

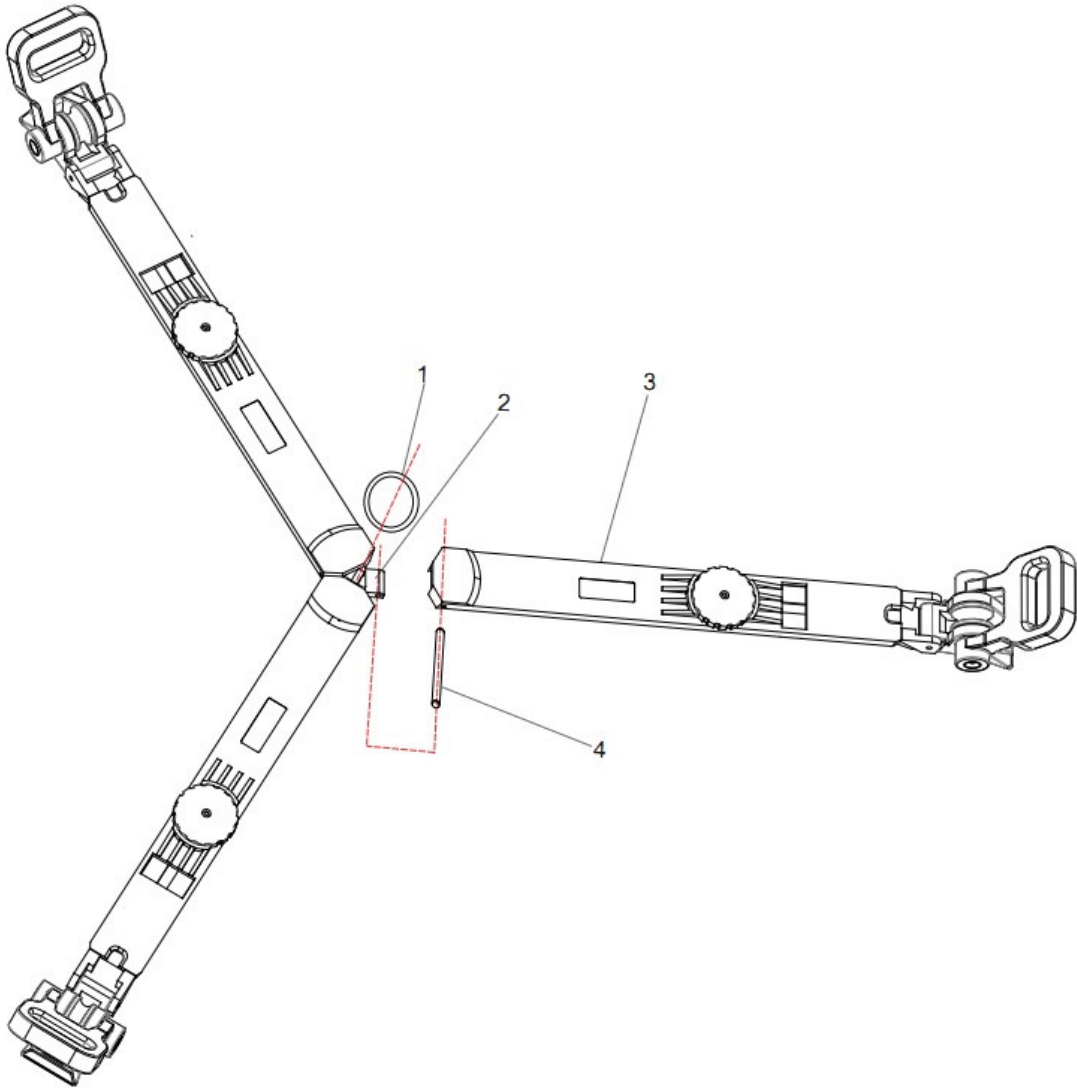


Fig.1: Floor Spreader

Item No.	Part No.	Nomenclature	Qty.
Fig. 1	SC318E-02	Floor Spreader	
1	YSH24	Ring Φ 24	1
2	SC318E-02-00-10	Connecting core	1
3	SC317-00-01	Spreader unit (Fig.2)	3
4	GBT119 B4x40	Pin, dowel, parallel, B4x40	3

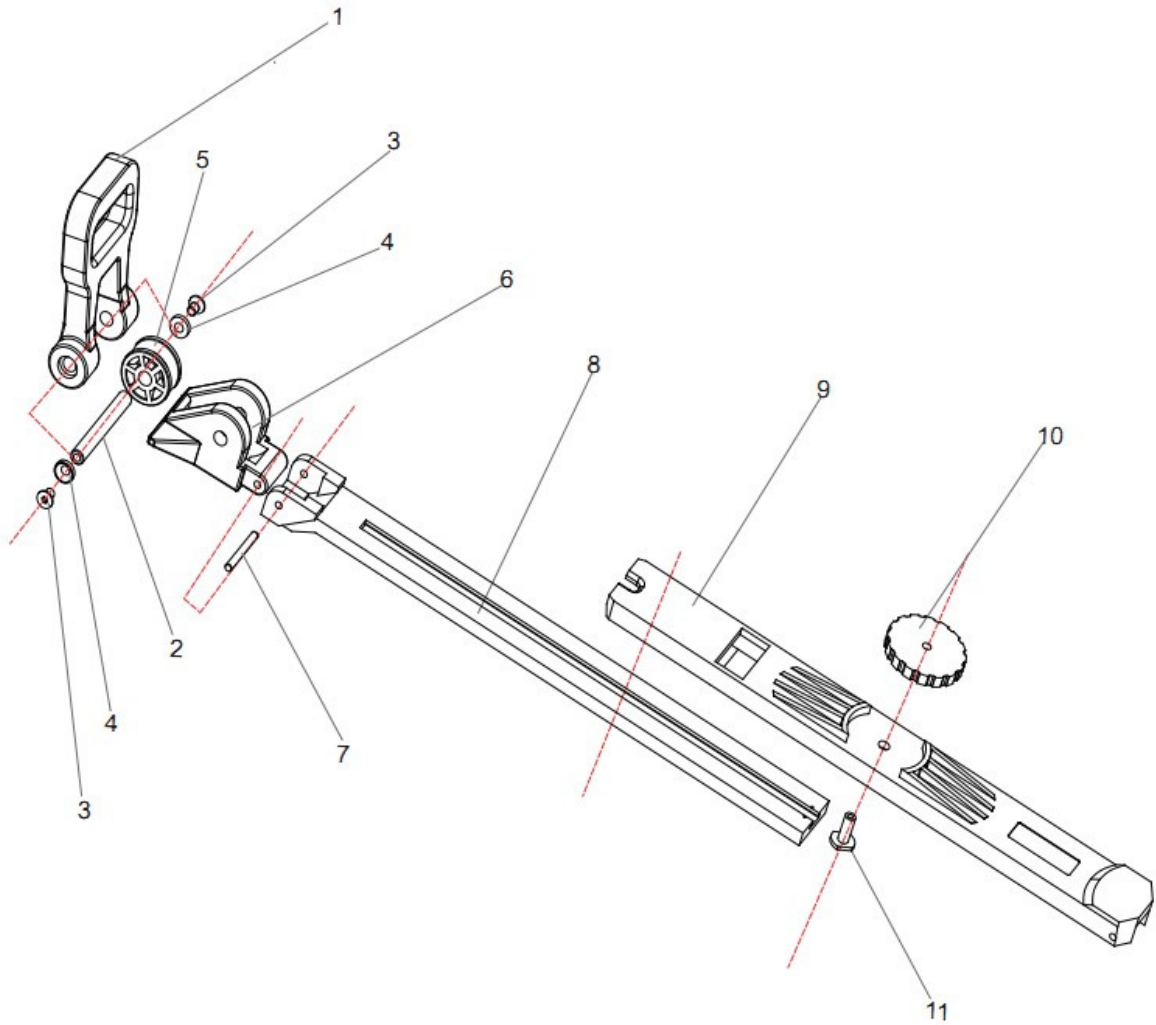


Fig.2: Floor Spreader Single Leg Assembly

Item No.	Part No.	Nomenclature	Qty.
Fig. 2	SC317-00-01	Floor Spreader Single Leg Assembly	
1	SC317-01-00-07	Retaining strap	1
2	SC317-01-00-04	Shaft	1
3	GBT703 M5x10	Screw, csk head, hex socket, M5x10	2
4	SC317-01-00-06	Blocking washer	2
5	SC317-01-00-03	Spreader wheel	1
6	SC317-01-00-01	Foot base	1
7	GBT119 B4x40	Pin, dowel, parallel, B4x40	3
8	SC318-02-01-02	Inner leg	1
9	SC318-02-01-03	Outer leg	1
10	SC318E-02-01-06	Clamping knob II	1
11	SC318E-02-00-04	Clamping screw	1

Mid-level Spreader Unit Assembly

Illustrated Parts List

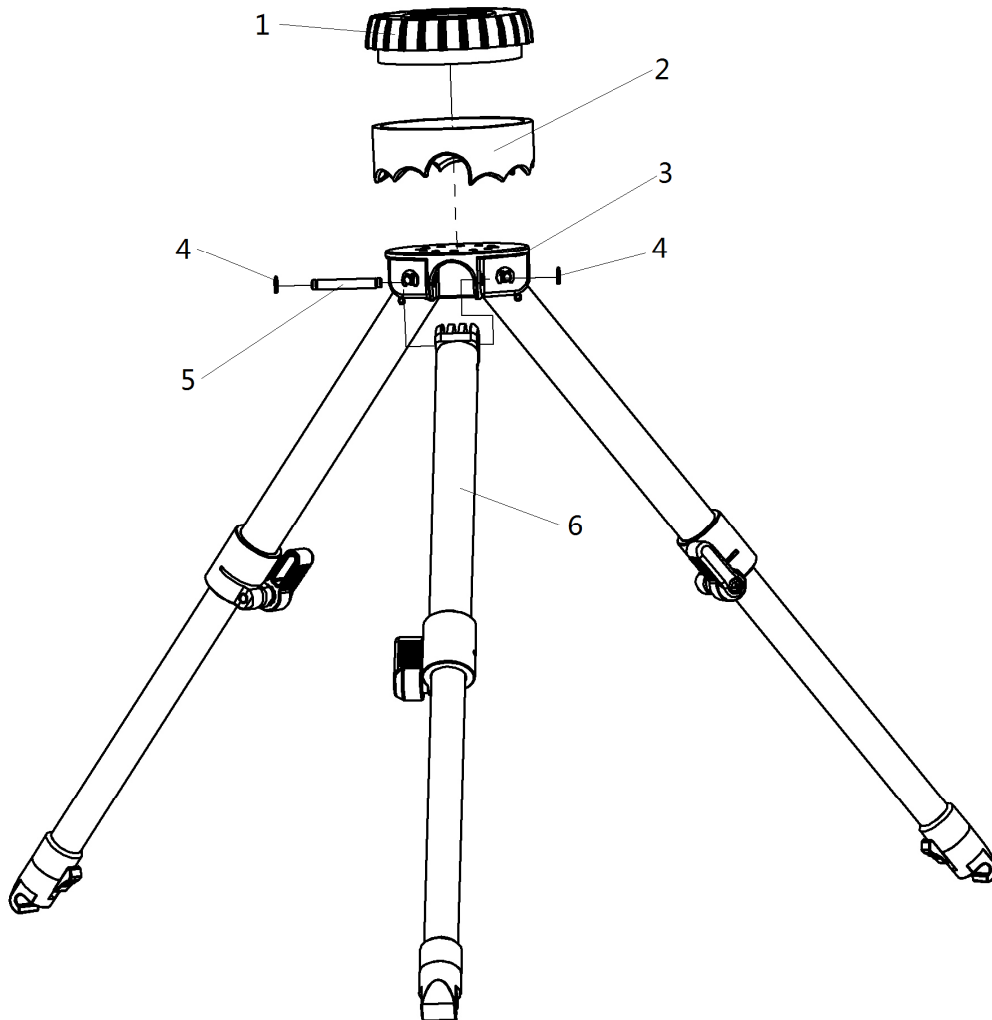


Fig.1: 318 Mid-level Spreader Unit Assembly

Item No.	Part No.	Nomenclature	Qty.
Fig. 1	SC318E-01A	Mid-level Spreader Unit Assembly	
1	SC318-01-00-02	Clamping knob	1
2	SC318-01-00-03	Blocking Ring	1
3	SC318-01-00-01	central frame for knob	1
4	GB/T896	open-end Blocking washer 4	6
5	SC318-01-00-04	shaft	3
6	SC318E-01-01A	Mid-Level Spreader leg (Fig.2)	3
—7	SC315-00-08-03	spring	1
	SB-5	Steel ball, $\phi 5$	1
—8	GBT119B3x6	Pin, dowel, parallel, B3X6	3

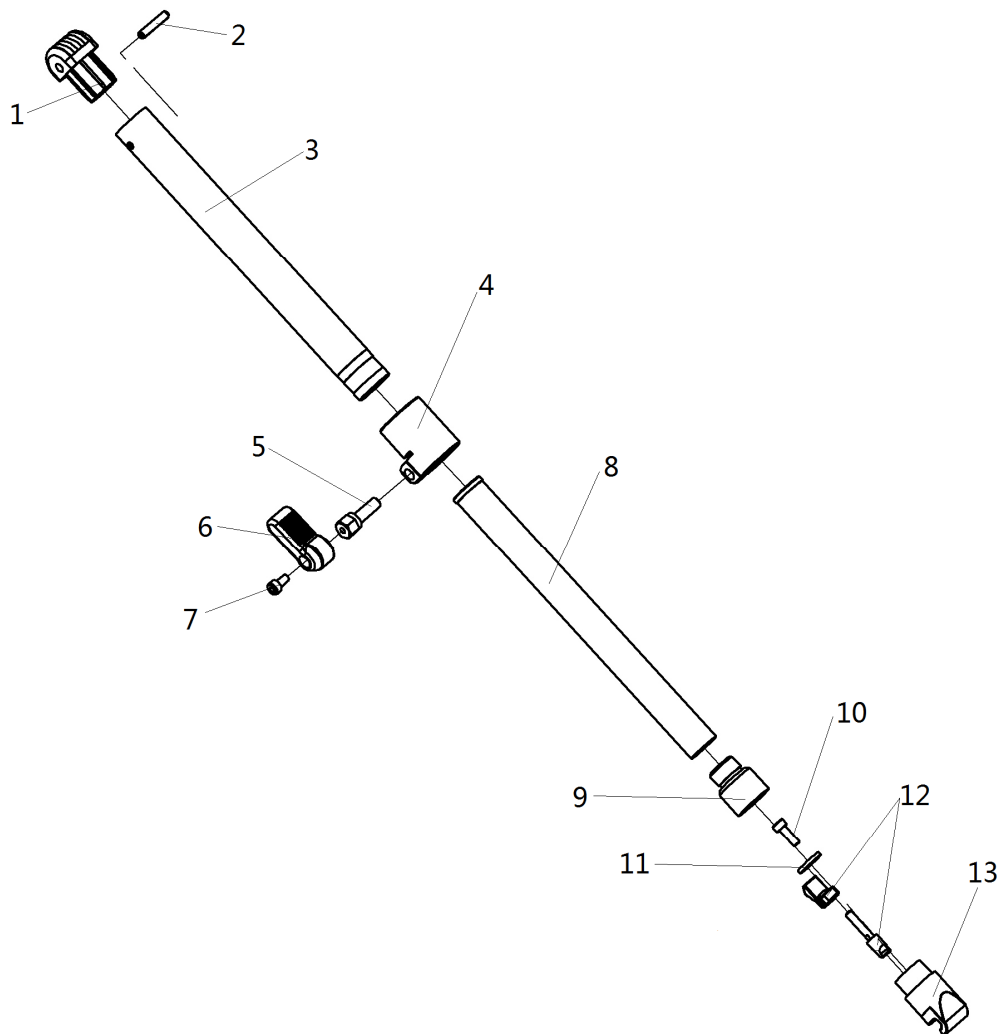


Fig.2: Mid-level Spreader Single Leg Assembly

REACH PLUS 3 Tripod Kit Maintenance Manual

Item No.	Part No.	Nomenclature	Qty.
Fig. 1	SC318E-01-01A	Mid-level Spreader Single Leg Assembl	
1	SC318-01-01-01	Mid-level Spreader Stopper	1
2	GBT879SP4X22	Pin, spring-type, slotted, 4X22	1
3	SC318E-01-01-11	Mid-level Spreader outer tube	1
4	SC318E-01-01-13	Mid-level Spreader brake ring	1
5	SC318E-01-01-12	Mid-level Spreader brake shaft	1
6	SC324-00-00-01	Brake knob	1
7	GBT70.1 M4X8	Screw, cheese head, hex socket, M4X8	1
8	SC318E-01-01-10	Mid-level Spreader inner tube	1
9	SC318E-01-01-05A	Mid-level Spreader shaft	1
10	GBT70.1 M4X12	Screw, cheese head, hex socket, M4X12	1
11	SC318E-01-01-20	locating washer	1
12	SC318E-01-01-18	Mid-level Spreader knob	1
13	SC318E-01-01-17A	Mid-level Spreader Connecting core	1